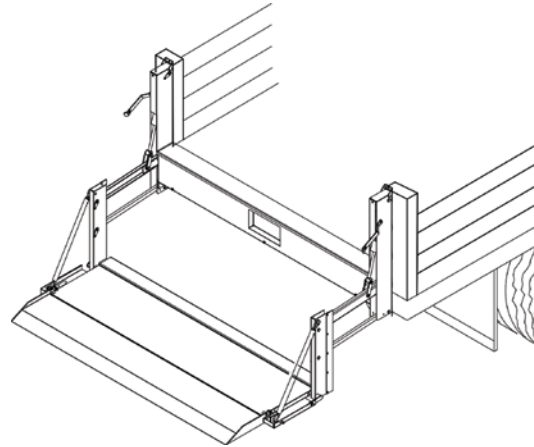




LOW-PROFILE MODELS

The Tommy Gate G2-Series utilizes a pair of hydraulic cylinders to apply power directly to both sides of the platform for a robust and dependable motion when lowering or raising the lift.

Low-profile G2 models feature folding platforms and are specifically designed to fit large flatbed or stake bodies while providing increased driver visibility and greater compatibility with additionally installed equipment.



Models for 67" to 96" Wide Bodies

	Model Number	Body Width	Load Area	Taper	Travel	Gate Weight
1600 lb. Lifting Capacity	<u>Treadplate Platforms</u>					
	G2-65-1642 TP38	67	60 x 38	4	42	505
	G2-73-1642 TP38	80	66 x 38	4	42	532
	G2-81-1642 TP38	85	74 x 38	4	42	572
	G2-87-1642 TP38	90	80 x 38	4	42	592
	G2-92-1642 TP38	96	85 x 38	4	42	609
	<u>Aluminum Platform</u>					
	G2-65-1642 EA38	67	60 x 38	6	42	436
	G2-73-1642 EA38	70	66 x 38	6	42	458
	G2-81-1642 EA38	85	74 x 38	6	42	489
G2-87-1642 EA38	90	80 x 38	6	42	507	
G2-92-1642 EA38	96	85 x 38	6	42	523	

**Low-profile G2-Series models may be available in additional platform configurations, contact your territory manager for details.*

Available Options

Option	Description
Bolt-on Light Kit	3-light kit, 2 or 3-light systems (T-57) (two red, one white each side)
Bolt-on LED Light Kit	3-light kit, 2 or 3-light systems (T-57) (two red, one white each side)
Remote Pendant Control	in place of standard curb-side fixed control
Dual Controls	standard fixed control + remote pendant control
Rubber Platform Bumpers	set of six
In-cab, Shut-off Switch	disables power to the liftgate from within the truck cab
Winter Grade Hydraulic Fluid	increases consistency of motion in cold climates

Platform Descriptions

- TP38** Two-piece Steel Treadplate w/ 38" loading depth + 4" taper
- EA38** Two-piece Extruded Aluminum w/ 38" loading depth + 6" taper