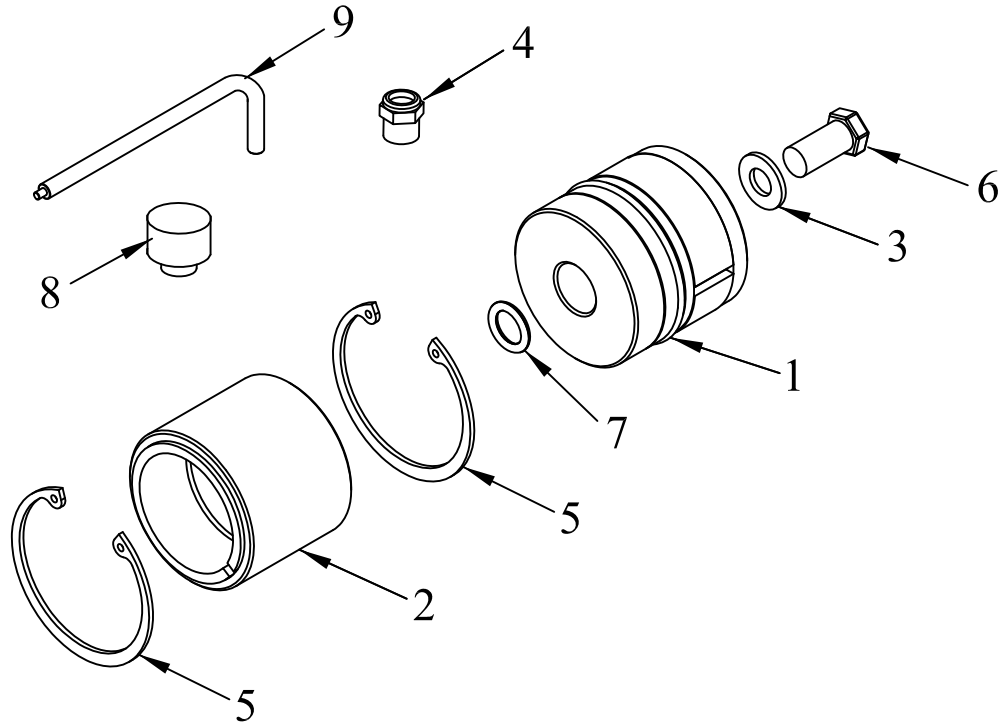


ITEM NO.	QTY.	PART NO.	DESCRIPTION
1	1	007444	1.980" PISTON W/ U-CUP & WEAR RING(RAIL)
2	1	007446	RAIL GUIDE BUSHING W/ WEAR RING & WIPER
3	1	000599	5/16 SAE THRU HARD WASHER
4	1	000600	VENT PLUG (RAIL TWIN CYL)
5	2	004546	2" INTERNAL SNAP RING (3000-X200)
6	1	000586	5/16-18X3/4" HHCS GR 5
7	1	004556	5/8 O-RING 2-111
8	1	001108	CYLINDER PORT ASSEMBLY PLUG(RAIL)
9	1	001109	SNAP RING REMOVAL TOOL
10	1	095074	RAIL SERIES CYLINDER SEAL REPLACEMENT INSTRUCTIONS



						THIRD ANGLE PROJECTION	FILENAME:	WOODBINE MFG. CO.			
							SYMBOLY PER ANSI Y14.5	BUS BROWN DRIVE			
						DECIMAL	DRAWN BY: DJR	NOTES:			
						2PLC			DRAWN/DATE 7/11/03		
						3PLC				APPVD/DATE	
						MACHINE SAW, DRILL					TITLE 2" CYLINDER REPAIR KIT(RAIL) NEW STYLE
						SHEAR, PUNCH FORM					
						TORCH, WELDING ROUGH CAST	SALES CATEGORY				
B	1/13/11		ADDED (1) 95074	JCB	404	DRAFT 2'	PRODUCT LINE	SCALE	FIN. WT.		
REV.	DATE		CHANGE RECORD	BY	APPVD	ECN	ANGULAR ±1'	N		1110	

WOODBINE MFG. CO.  
 BUS BROWN DRIVE  
 WOODBINE, IOWA 51579  
 712-647-2050



THE INFORMATION HERE IS CONFIDENTIAL AND MUST NOT BE USED IN ANYWAY DETRIMENTAL TO THE INTEREST OF WOODBINE MFG.