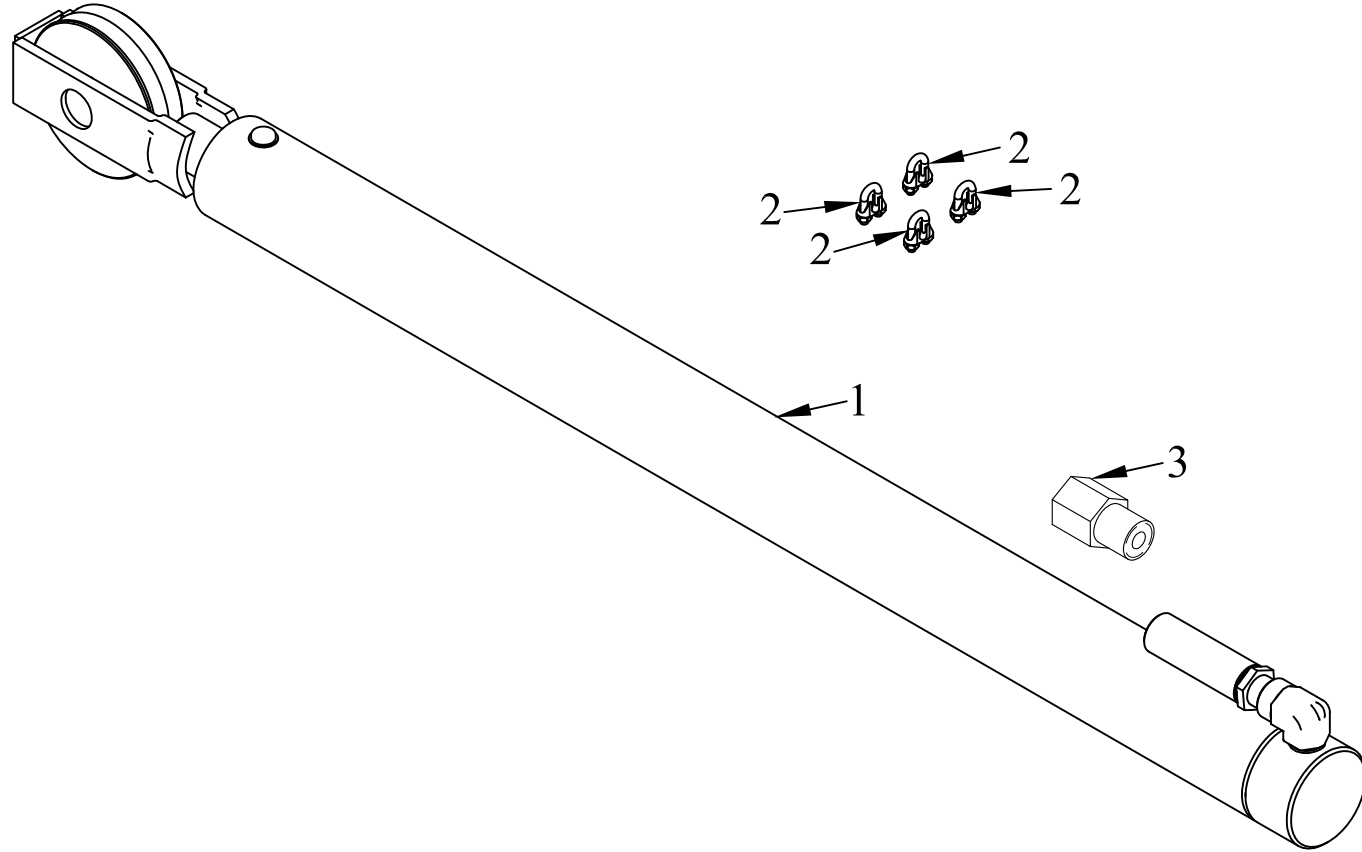


ITEM NO.	QTY.	PART NO.	DESCRIPTION
1	1	003424	1650 CYLINDER COMPLETE WFC
2	4	004742	5/16" CABLE CLAMP
3	1	012965	#4 MORB TO #6 FEMALE NPT ADAPTOR (6405-4-6)
4	1	095071	ORIGINAL SERIES CYLINDER REPLACEMENT INSTRUCTIONS



				THIRD ANGLE PROJECTION			FILENAME:		WOODBINE MFG. CO.															
							SYMBOLY PER ANSI Y14.5		BUS BROWN DRIVE															
				<table border="1"> <tr> <th>DECIMAL</th> <th>2PLC</th> <th>3PLC</th> </tr> <tr> <td>MACHINE SAW, DRILL</td> <td>.030</td> <td>.015</td> </tr> <tr> <td>SHEAR, PUNCH FORM</td> <td>.060</td> <td>.030</td> </tr> <tr> <td>TORCH, WELDING ROUGH CAST</td> <td>.090</td> <td>.060</td> </tr> </table>			DECIMAL	2PLC	3PLC	MACHINE SAW, DRILL	.030	.015	SHEAR, PUNCH FORM	.060	.030	TORCH, WELDING ROUGH CAST	.090	.060	DRAWN BY. DJR		NOTES:		WOODBINE, IOWA 51579	
DECIMAL	2PLC	3PLC																						
MACHINE SAW, DRILL	.030	.015																						
SHEAR, PUNCH FORM	.060	.030																						
TORCH, WELDING ROUGH CAST	.090	.060																						
				DRAWN/DATE 6/28/04		712-647-2050																		
C	11/14/13	ADDED (1) 012965	GDB	1004	APPVD/DATE		TITLE		THE INFORMATION HERE IS CONFIDENTIAL AND MUST NOT BE USED IN ANYWAY DETRIMENTAL TO THE INTEREST OF WOODBINE MFG.															
B	1/10/11	ADDED 95071	JCB	400	SALES CATEGORY		PRODUCT LINE		SCALE															
REV.	DATE	CHANGE RECORD	BY	APPVD	ECN	DRAFT 2*		ANGULAR ±1*		FIN. WT.														
								N		PART NO. 9754														