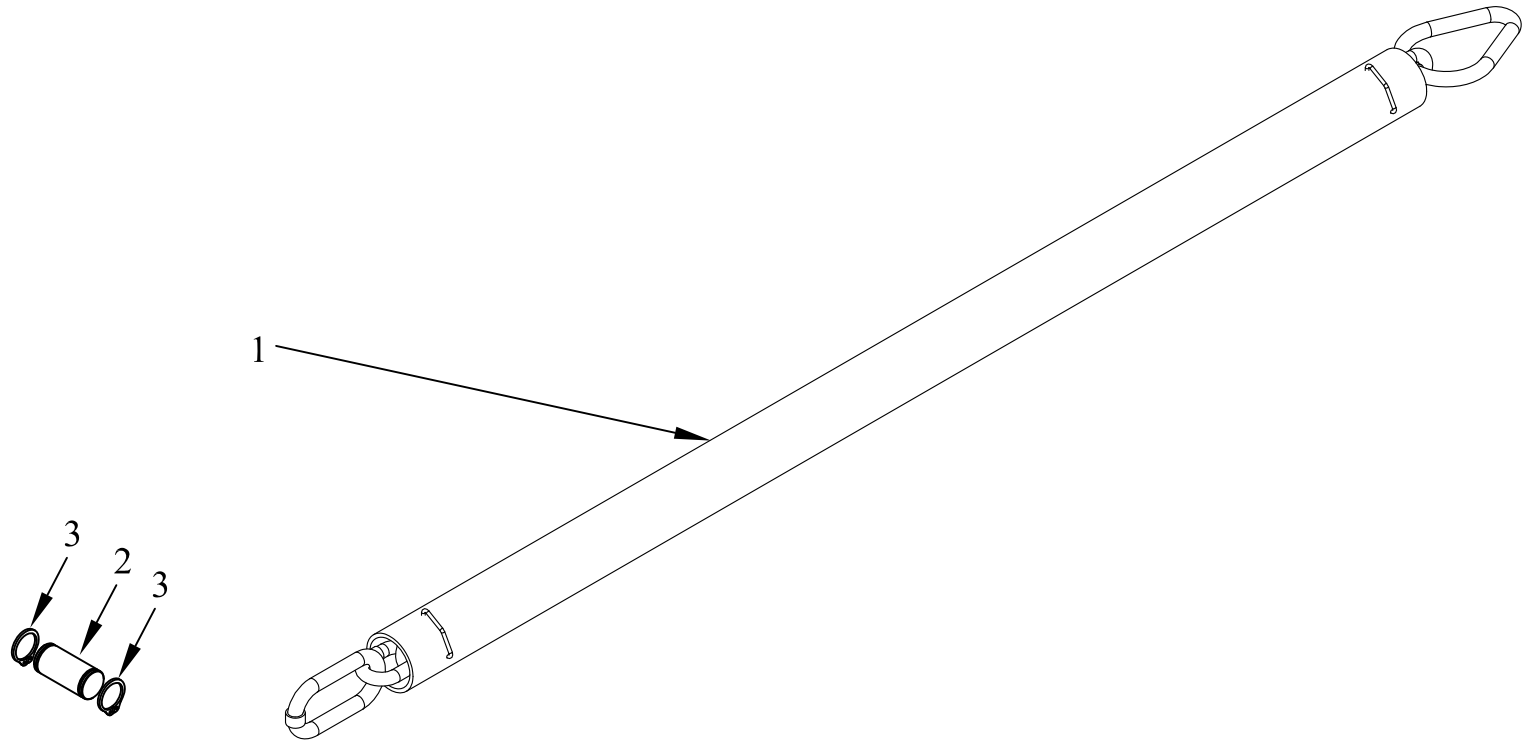


ITEM NO.	QTY.	PART NO.	DESCRIPTION
1	1	2630	50" TRAVEL EA CHAIN W/ CHAIN COVER
2	1	7637	1/2"X1.08"EA PLATED CHAIN PIN (34-40)
3	2	614	1/2" EXTERNAL RETAINING RING-PLATED



						THIRD ANGLE PROJECTION	FILENAME: E:\KITS(Repair Parts)\G2\003884.dwg	WOODBINE MFG. CO. BUS BROWN DRIVE WOODBINE, IOWA 51579			
							SYMBOLY PER ANSI Y14.5	NOTES:			
						DECIMAL	2PLC	3PLC			
						MACHINE SAW, DRILL	.030	.015			
						SHEAR, PUNCH FORM	.060	.030			
						TORCH, WELDING ROUGH CAST	.090	.060			
						DRAWN BY. DJR	DRAWN/DATE 12/28/04	712-647-2050			
						APPVD/DATE 3/5/07	TITLE 48"EA PLATFORM & 50"TRAVEL EA REPLACEMENT PLATFORM CHAIN	THE INFORMATION HERE IS CONFIDENTIAL AND MUST NOT BE USED IN ANYWAY DETRIMENTAL TO THE INTEREST OF WOODBINE MFG.			
C	9/28/09	CHANGED TO REFLECT PRODUCTION	LSB	LSB	206	DRAFT 2°	SALES CATEGORY 45	PRODUCT LINE 1801	SCALE N	FIN. WT.	PART NO. 3884
REV.	DATE	CHANGE RECORD	BY	APPVD	ECN	ANGULAR ±1°					