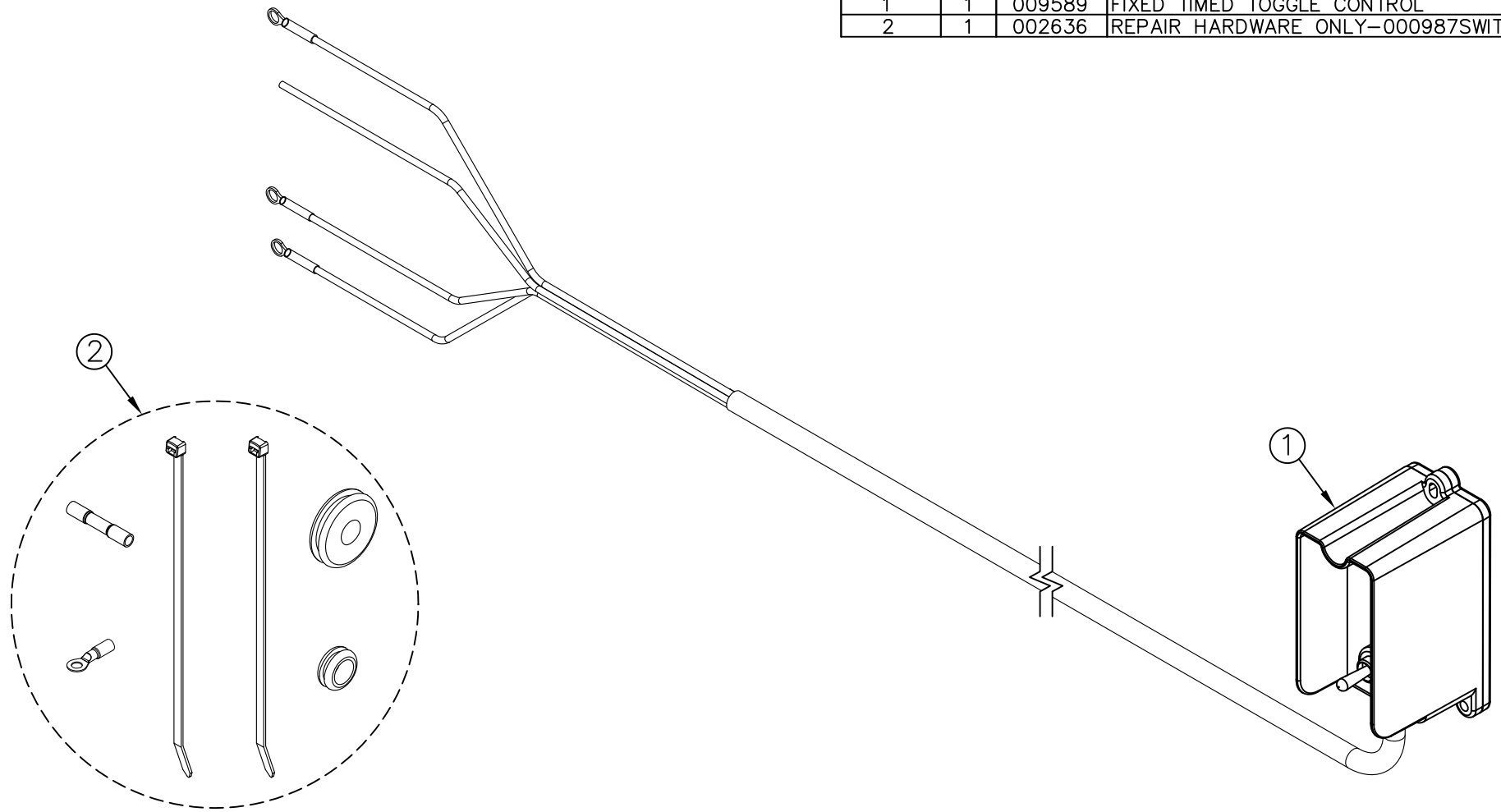


ITEM NO.	QTY.	PART NO.	DESCRIPTION
1	1	009589	FIXED TIMED TOGGLE CONTROL
2	1	002636	REPAIR HARDWARE ONLY-000987SWITCH



NOTE: TO REPLACE A FIXED CONTROL IN THE FIELD (G2, CABLE, OR RAIL SERIES)

REV.	DATE	CHANGE RECORD	BY	APPVD	ECN	DRAFT	ANGULAR	SALES CATEGORY	PRODUCT LINE	SCALE	FIN. WT.	PART NO.
C	2/22/10	COMBINED HARDWARE INTO HARDWARE KIT 2636	JCB		269	2*	±1*			1:3	1.2	987
B	8/2/07	UPDATED BOM	MTC	KGJ								

THIRD ANGLE PROJECTION	FILENAME:	WOODBINE MFG. CO. BUS BROWN DRIVE WOODBINE, IOWA 51579
	SYMBOLY PER ANSI Y14.5	712-647-2050
DECIMAL	2PLC	3PLC
MACHINE SAW, DRILL	.030	.015
SHEAR, PUNCH FORM	.060	.030
TORCH, WELDING ROUGH CAST	.090	.060
NOTES:	DRAWN BY: DJR	THE ORIGINAL TOMMY GATE hydraulic lift
	DRAWN/DATE: 1/25/06	THE INFORMATION HERE IS CONFIDENTIAL AND MUST NOT BE USED IN ANYWAY DETRIMENTAL TO THE INTEREST OF WOODBINE MFG.
	APPVD/DATE	TITLE: REPLACEMENT FIXED CONTROL