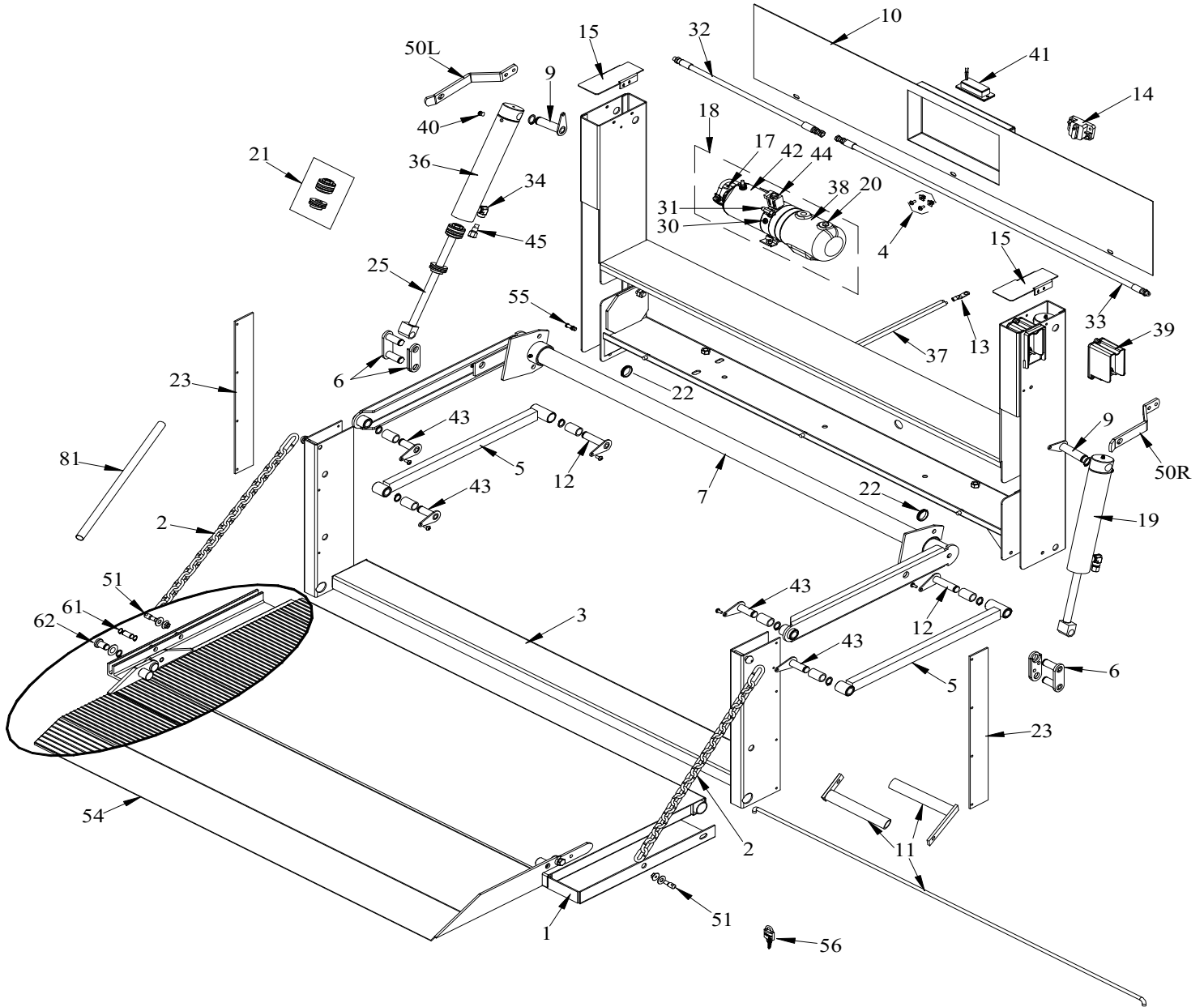


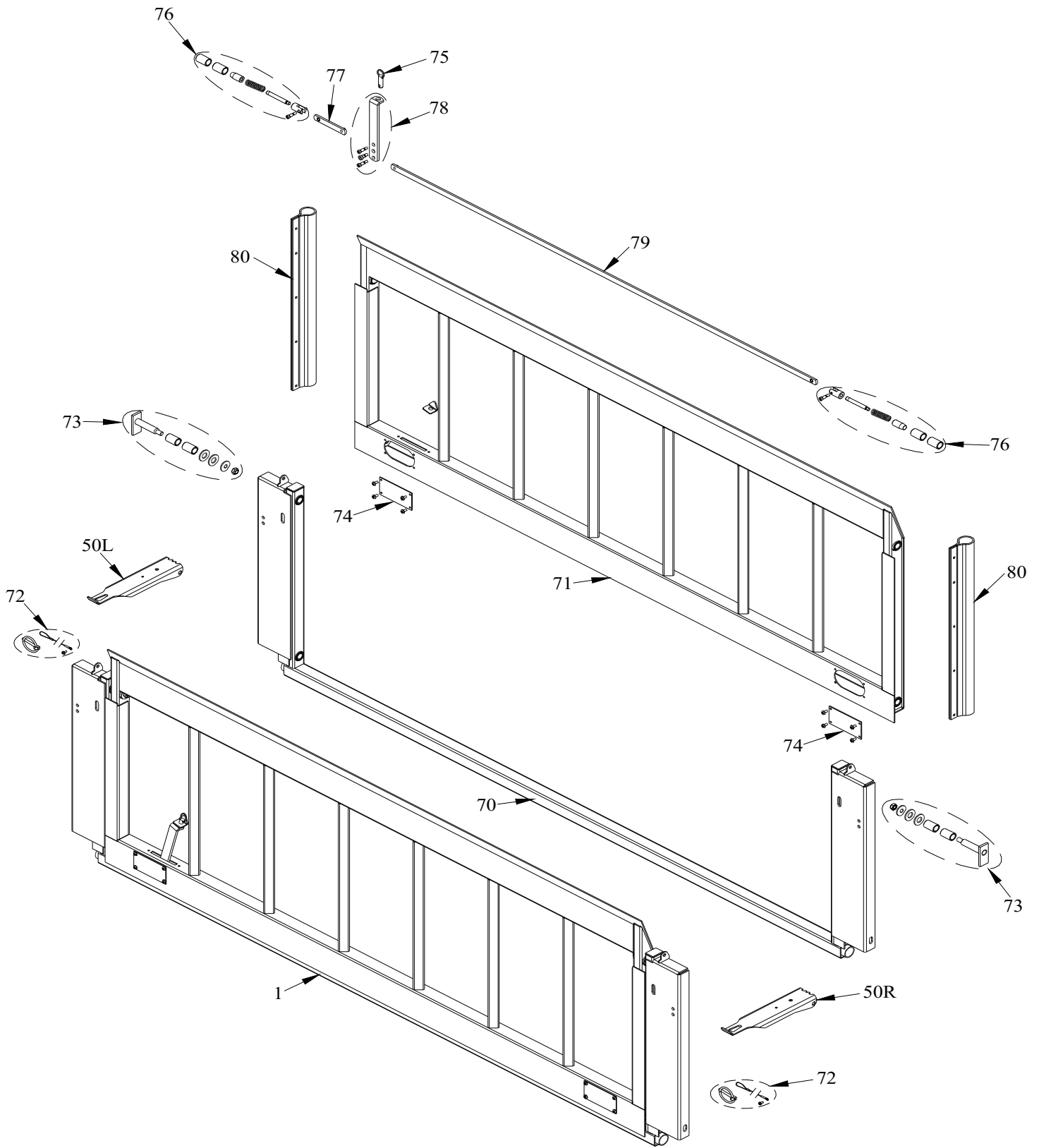
1650 SERIES G2 PARTS DRAWING

FOR MODELS 65, 73, 81, 87, 92



1650LD G2 PARTS DRAWING

FOR MODELS 73LD, 81LD, 87LD, 92LD



1650 G2 SERIES PARTS LIST

Draw. Ref.	Part No.	Description	Qty Required	
1	010280	(65) G2 35" Treadplate Replacement Platform	1	
	010281	(65) G2 41" Treadplate Replacement Platform	1	
	010282	(65) G2 37" Extruded Aluminum Replacement Platform	1	
	010283	(65) G2 41" Extruded Aluminum Replacement Platform	1	
	002585	(73) G2 35" Treadplate Replacement Platform	1	
	002590	(73) G2 41" Treadplate Replacement Platform	1	
	002591	(73) G2 37" Extruded Aluminum Replacement Platform	1	
	002599	(73) G2 41" Extruded Aluminum Replacement Platform	1	
	010452	(73) G2 Lift and Dump Replacement Platform	1	
	002523	(81) G2 35" Treadplate Replacement Platform	1	
	002524	(81) G2 41" Treadplate Replacement Platform	1	
	002525	(81) G2 37" Extruded Aluminum Replacement Platform	1	
	002526	(81) G2 41" Extruded Aluminum Replacement Platform	1	
	010453	(81) G2 Lift and Dump Replacement Platform	1	
	002527	(87) G2 35" Treadplate Replacement Platform	1	
	002528	(87) G2 41" Treadplate Replacement Platform	1	
	002529	(87) G2 37" Extruded Aluminum Replacement Platform	1	
	002530	(87) G2 41" Extruded Aluminum Replacement Platform	1	
	010454	(87) G2 Lift and Dump Replacement Platform	1	
	014612	(87) G2 33+6" Tommy Traction Replacement Platform	1	
	013929	(87) G2 33+6" Bargrate Replacement Platform	1	
	002531	(92) G2 35" Treadplate Replacement Platform	1	
	002532	(92) G2 41" Treadplate Replacement Platform	1	
	002533	(92) G2 37" Extruded Aluminum Replacement Platform	1	
	002534	(92) G2 41" Extruded Aluminum Replacement Platform	1	
	013627	(92) G2 33+6" Bargrate Replacement Platform	1	
	014219	(92) G2 33+6" Tommy Traction Replacement Platform	1	
	010455	(92) G2 Lift and Dump Replacement Platform	1	
	2	013649	35+6TP, 33+6TT, & 33+6BG Platform Replacement Chain	2
		013650	37+6EA & 41+6EA Replacement Platform Chain	2
013651		41+6TP Replacement Platform Chain	2	
3	013632	60-50 G2 Replacement Sub Assembly	1	
	010284	65-50 G2 Replacement Sub Assembly	1	
	002535	73-50 G2 Replacement Sub Assembly	1	
	002536	81-50 G2 Replacement Sub Assembly	1	
	002537	87-50 G2 Replacement Sub Assembly	1	
	002538	92-50 G2 Replacement Sub Assembly	1	
	010456	73LD G2 Replacement Sub Assembly	1	
	010457	81LD G2 Replacement Sub Assembly	1	
	010458	87LD G2 Replacement Sub Assembly	1	
010459	92LD G2 Replacement Sub Assembly	1		
4	001111	License Plate Mount Kit	1	
5	002539	G2 (50) Replacement Lower Arm w/Pins & Bushings	2	
6	002540	G2 (50) Replacement Clevis Cylinder Assembly	2	

1650 G2 SERIES PARTS LIST

Draw. Ref.	Part No.	Description	Qty Required
7	013633	60-50 G2 Replacement Upper Arm Assembly	1
	010285	65-50 G2 Replacement Upper Arm Assembly	1
	002541	73-50 G2 Replacement Upper Arm Assembly	1
	002542	81-50 G2 Replacement Upper Arm Assembly	1
	002543	87-50 G2 Replacement Upper Arm Assembly	1
	002544	92-50 G2 Replacement Upper Arm Assembly	1
9	002180	7/8" Replacement G2 Upright Back Cylinder Pin	2
10	013662	Replacement Box Cover (60G2)	1
	010286	Replacement Box Cover (65G2)	1
	002549	Replacement Box Cover (73G2)	1
	015283	Replacement Box Cover (75G2)	1
	002551	Replacement Box Cover (81G2)	1
	002553	Replacement Box Cover (87G2)	1
	002555	Replacement Box Cover (92G2)	1
11	010288	Torsion Spring Kit (65) Steel Platform	1
	008085	EA Torsion Spring Kit (65)	1
	008028	Torsion Spring Kit (73) Steel Platform	1
	008116	EA Torsion Spring Kit (73)	1
	008117	SQ. Torsion Spring Kit (81)	1
	008029	EA Torsion Spring Kit (81)	1
	008118	SQ. Torsion Spring Kit (87)	1
	008032	EA Torsion Spring Kit (87)	1
	008119	SQ. Torsion Spring Kit (92)	1
008033	EA Torsion Spring Kit (92)	1	
12	002181	3/4" Replacement G2 Upright Back Arm Pin & Bushing	2
13	000992	Replacement Copper Lug	6
14	000998	Replacement 150 Amp Manual Reset Circuit Breaker	1
15	002015	Replacement G2 Upright Cap	2
17	000967	Replacement Raise Solenoid-3 Post	1
18	013265	Replacement 1350 G2 Pump & Motor Unit (2300psi)	1
	002558	Replacement 1650 G2 Pump & Motor Unit (2500psi)	1
19	002559	Replacement G2 Cylinder (50)	2
20	000989	Replacement Vent Plug	1
21	001138	G2 Cylinder Repair Kit	2
22	000972	Replacement Split Plastic Grommet Kit	2
23	002560	Replacement G2 Sub Assembly Belting (50)	2
25	002561	Replacement G2 Cylinder Shaft Complete (50)	2
30	000973	Replacement Monarch Lee Check Valve	1
31	000974	Replacement G2 T-Fitting (Pump & Motor)	1
32	002578	Replacement 1/4"X26-1/4" Hydraulic Hose-Left (G2)	1
33	002579	Replacement 1/4"x66-3/4" Hydraulic Hose-Right (65-73G2)	1
	002580	Replacement 1/4"x80-3/4" Hydraulic Hose-Right (81-87G2)	1
	002581	Replacement 1/4"x85-3/4" Hydraulic Hose-Right (92G2)	1
34	000978	Replacement 1/4"x1/4"x90 Degree Steel Cylinder Elbow	2
37	004708	Replacement 4 Ga. 2 Wire Electric Cable w/Lugs-33 ft.	1
38	004355	Replacement 3qt. Monarch Plastic Tank (G2) **	1
39	000987	Replacement Fixed Control	1
40	000979	Replacement Vent Plug - Cylinder (Rail & G2)	2
41	010199	Replacement License Plate Light & Bracket (H1)	1
42	000958	Replacement 12 Volt Motor-Only (Monarch)**	1
43	002183	3/4" Replacement G2 Upright Front Arm Pin	4
44	009645	Release Solenoid External Assembly w/Connector	1
45	013360	Replacement Flow Control W/ O-ring (G2) (With Adaptor)	2
47	N/A	Replacement Pump (only) w/3qt. Tank 1650 G2 (2500psi) (Discontinued - See Drawing Ref 18)	1

1650 G2 SERIES PARTS LIST

Draw. Ref.	Part No.	Description	Qty Required
50L	002583	G2 (50) Replacement Latch Kit-Left	1
	010460	G2 (LD) Replacement Latch Kit-Left	1
50R	002584	G2 (50) Replacement Latch Kit-Right	1
	010461	G2 (LD) Replacement Latch Kit-Right	1
51	002020	Replacement Platform Latch Pin Assembly (G2)	2
55	001010	G2 Replacement Drop Away Pin Assembly	1
56	000966	Replacement Padlock w/Keys	1
61	004712	EA Replacement Platform Chain Pin(1.079")	2
70	010462	G2 Replacement Outer Platform Assembly (73LD)	1
	010463	G2 Replacement Outer Platform Assembly (81LD)	1
	010464	G2 Replacement Outer Platform Assembly (87LD)	1
	010465	G2 Replacement Outer Platform Assembly (92LD)	1
71	009534	Replacement Platform Insert (73LD)	1
	009541	Replacement Platform Insert (81LD)	1
	009542	Replacement Platform Insert (87LD)	1
	009543	Replacement Platform Insert (92LD)	1
72	011701	Replacement Latch Pin & Lanyard (G2)	2
73	009492	Replacement LD Insert Pivot Pin Assembly	2
74	009494	Replacement LD Access Cover	2
75	000913	Replacement 1/2"Dia.x1" Cotterless Hitch Pin	1
76	009491	Replacement LD Insert Latch Pin Assembly	2
77	009504	Replacement Short Insert Link Assembly (LND)	1
78	009493	Replacement LD Insert Handle Assembly	1
79	009514	Replacement Long Insert Link Assembly (73LND)	1
	009517	Replacement Long Insert Link Assembly (81LND)	1
	009518	Replacement Long Insert Link Assembly (87LND)	1
	009519	Replacement Long Insert Link Assembly (92LND)	1
80	010466	Replacement G2 LD Sub Assembly Seal Belting Kit	2
81	006516	Replacement Cloth Chain Cover 29"	2
	006596	Replacement Cloth Chain Cover 38"	2

**Please provide the liftgate Model and Serial numbers when ordering repair parts.
 Note: The above prices are for standard equipment only. Call the factory for pricing of optional equipment or special