

DETAILED LIFTGATE DIMENSIONS



CARGO VAN



						A	B	C	D	E	F	G	H	I
	Travel - Floor to Ground Level													
	Lifting Capacity													
	Gate Weight ¹													
	Flat Loading Width													
	Clear Opening Between Uprights													
	Overall Platform Width													
	Overall Gate Width													
	Height of Extended Retention Ramp Above Van Floor													
	Platform Depth Flatloading													
	Taper													
	Height of Shipping Floor Angle Above Van Floor ²													
	Height of Platform Above Van Floor													
V2-56-1140 FA49	40	1100	445	47-1/2	49-3/16	48-1/2	57-1/2	61-1/4	49	9	58-5/16	54-1/8		
V2-56-1140 FA34	40		410	47-1/2	49-3/16	48-1/2	57-1/2	46-3/8	34	9	45	39-1/8		

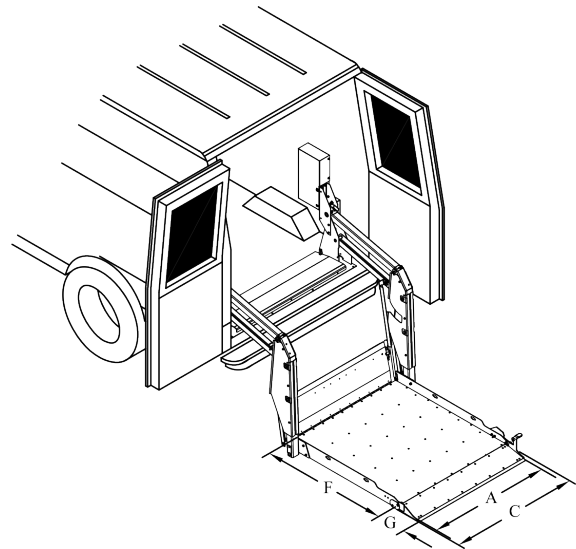
NOTES

- Gate weight is complete gate, without mounting kit or pallet
- Dimension gives overall height for installation of FA49 platforms ONLY

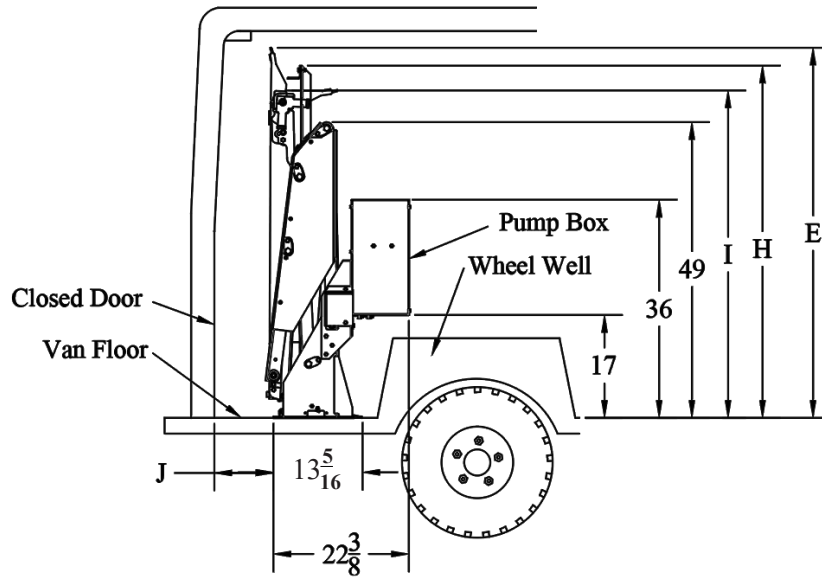
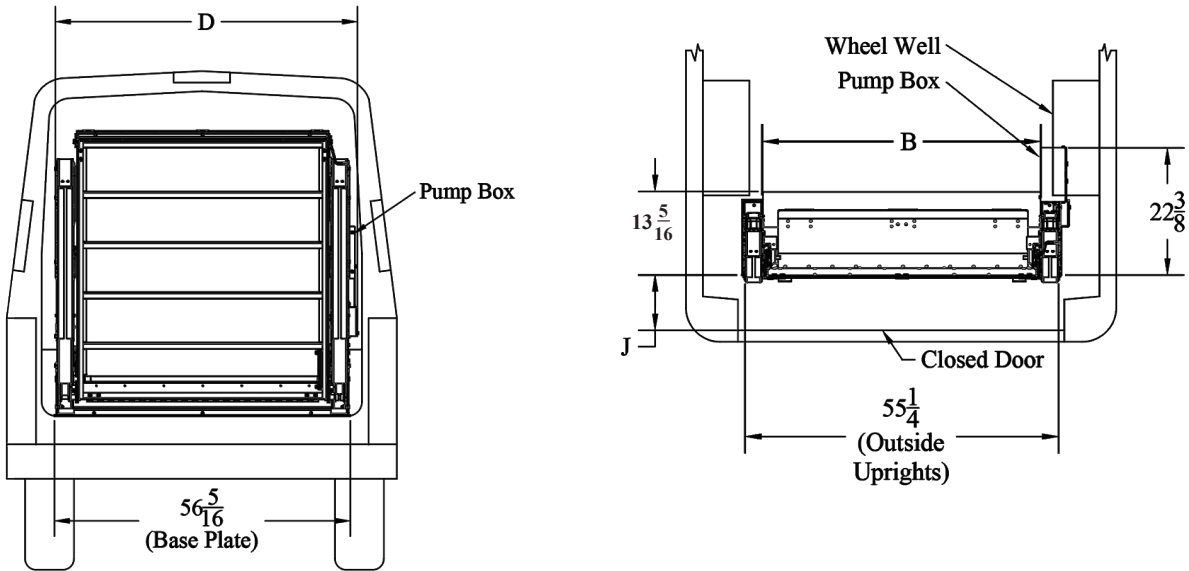
		J ⁷
	Closed Van Door to Base Plate	
	Bracket Kit Number	
Ford Transit Non-Extended Roof	9-3/4	15794
Ford Transit Non-Extended	9-3/4	15230
Ford Transit Extended	6	15418
Nissan NV	5-1/8	15576
Ram Promaster Non-Extended	2-1/2	15608
Ram Promaster Extended	2-1/2	15644
Sprinter 1500/2500 144" WB ³	5-3/8	15966
Sprinter 3500/4500 144" WB ³	N/A ⁶	N/A ⁶
Sprinter 2500 170" WB Non-Extended ⁴	5-1/8	15323
Sprinter 3500/4500 170" WB Non-Extended ⁴	N/A ⁶	N/A ⁶
Sprinter 2500/3500/4500 170" WB Extended ⁴	5-1/8	16302 ⁵

NOTES

- Retention ramp must be engaged before storing liftgate for 49FA platform on standard roof.
- 2019-2020 Sprinter, 170"WB must have one of these factory installed options: V43 (woodfloor), V39 (plastic floor), or ZE6 (shelvinf prep)
- This application requires a 37-foot power cable, option E3
- Dimension not available at the time of publication.
- Dimension "J" may differ depending on application. Contact factory for more information.



DETAILED LIFTGATE DIMENSIONS



IMPORTANT

- V2 Series liftgates are not available for Chevy Express/GMC Savana.
- V2 Series liftgates reduce the door opening height by 2" (from the metal floor).
- V2 Series liftgates are not compatible with floor mounted rear heat or air conditioning.
- Mounting kits for V2 liftgates are intended for the specific model only. Use of a mounting kit in a vehicle or manner other than intended is NOT recommended by Tommy Gate. Using an incorrect mounting kit will likely result in damage to the van's bumper, door and floor area, as well as to the lifting and folding mechanism of the liftgate.

Tommy Gate® liftgates are industrial products for material handling only and are not to be used as personnel or wheelchair lifts. For safe handling and operating instructions, visit www.tommygate.com.

