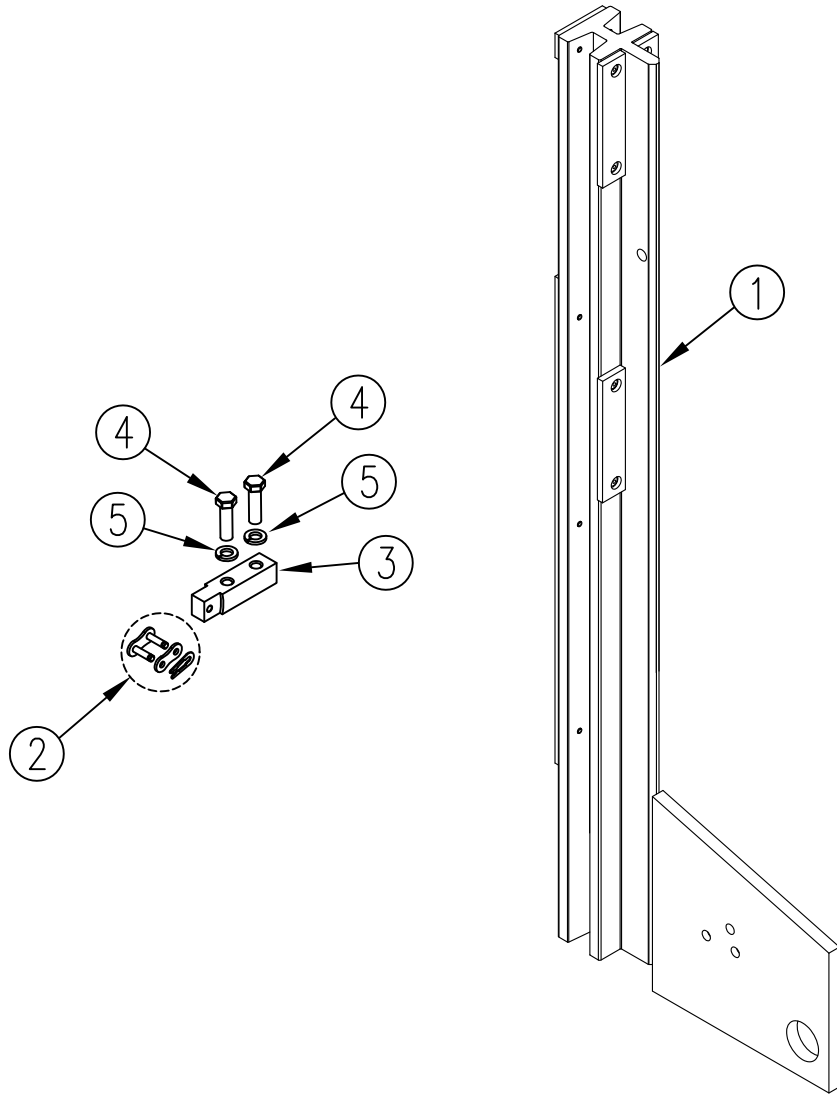
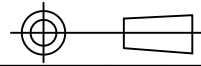


ITEM NO.	QTY.	PART NO.	DESCRIPTION
1	1	011049	36" COMPLETE SLIDER 4900-L/R(AB) ALUM RF
2	1	007661	50 SERIES CONNECTING LINK
3	1	007656	3/4" SQ.x3.03" CHAIN HOLDER
4	2	000510	3/8-16x1-1/4" HHCS GR5
5	2	000572	3/8" SPRING LOCK WASHER



THIRD ANGLE PROJECTION



DECIMAL	2PLC	3PLC
MACHINE SAW, DRILL	.030	.015
SHEAR, PUNCH FORM	.060	.030
TORCH, WELDING ROUGH CAST	.090	.060

FILENAME:	NOTES:			
SYMBOLY PER ANSI Y14.5				
DRAWN BY: JAR				
DRAWN/DATE 3/2/12				
APPVD/DATE	TITLE 36"REPL. SLIDER 4900 w/PADS L/R (AB) ALUM R-FOLD			
SALES CATEGORY	PRODUCT LINE	SCALE 1:6	FIN. WT.	PART NO. 11873

WOODBINE MFG. CO.
BUS BROWN DRIVE
WOODBINE, IOWA 51579
712-647-2050

THE INFORMATION HERE IS CONFIDENTIAL AND MUST NOT BE USED IN ANYWAY DETRIMENTAL TO THE INTEREST OF WOODBINE MFG.

REV.	DATE	CHANGE RECORD	BY	APPVD	ECN
A	3/2/12	RELEASE TO PRODUCTION	JAR		603