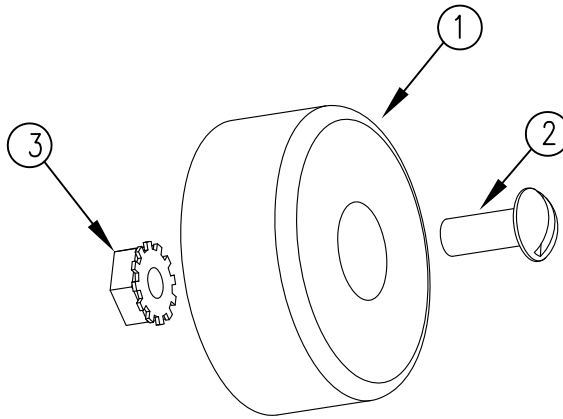


ITEM NO.	QTY.	PART NO.	DESCRIPTION
1	1	007670	1-1/2" RUBBER BUMPER
2	1	009977	10-32X1/2" RD HD MS(SEL BRACKET)
3	1	000556	10-32 KEPS NUTS



				THIRD ANGLE PROJECTION			FILENAME:		WOODBINE MFG. CO.															
							SYMBOLY PER ANSI Y14.5		BUS BROWN DRIVE															
				<table border="1"> <tr> <th>DECIMAL</th> <th>2PLC</th> <th>3PLC</th> </tr> <tr> <td>MACHINE SAW, DRILL</td> <td>.030</td> <td>.015</td> </tr> <tr> <td>SHEAR, PUNCH FORM</td> <td>.060</td> <td>.030</td> </tr> <tr> <td>TORCH, WELDING ROUGH CAST</td> <td>.090</td> <td>.060</td> </tr> </table>			DECIMAL	2PLC	3PLC	MACHINE SAW, DRILL	.030	.015	SHEAR, PUNCH FORM	.060	.030	TORCH, WELDING ROUGH CAST	.090	.060	DRAWN BY: AAS		NOTES:		WOODBINE, IOWA 51579	
DECIMAL	2PLC	3PLC																						
MACHINE SAW, DRILL	.030	.015																						
SHEAR, PUNCH FORM	.060	.030																						
TORCH, WELDING ROUGH CAST	.090	.060																						
				DRAWN/DATE 10/28/14		712-647-2050																		
				APPVD/DATE		TITLE DRIVER'S SIDE SUPPORT ARM RUBBER BUMPER KIT (CVL)		<small>THE INFORMATION HERE IS CONFIDENTIAL AND MUST NOT BE USED IN ANYWAY DETRIMENTAL TO THE INTEREST OF WOODBINE MFG.</small>																
A	10/28/14	RELEASED TO PRODUCTION		AAS		1234	SALES CATEGORY	PRODUCT LINE	SCALE 1:1	FIN. WT.	PART NO. 12216													
REV.	DATE	CHANGE RECORD		BY	APPVD	ECN																		