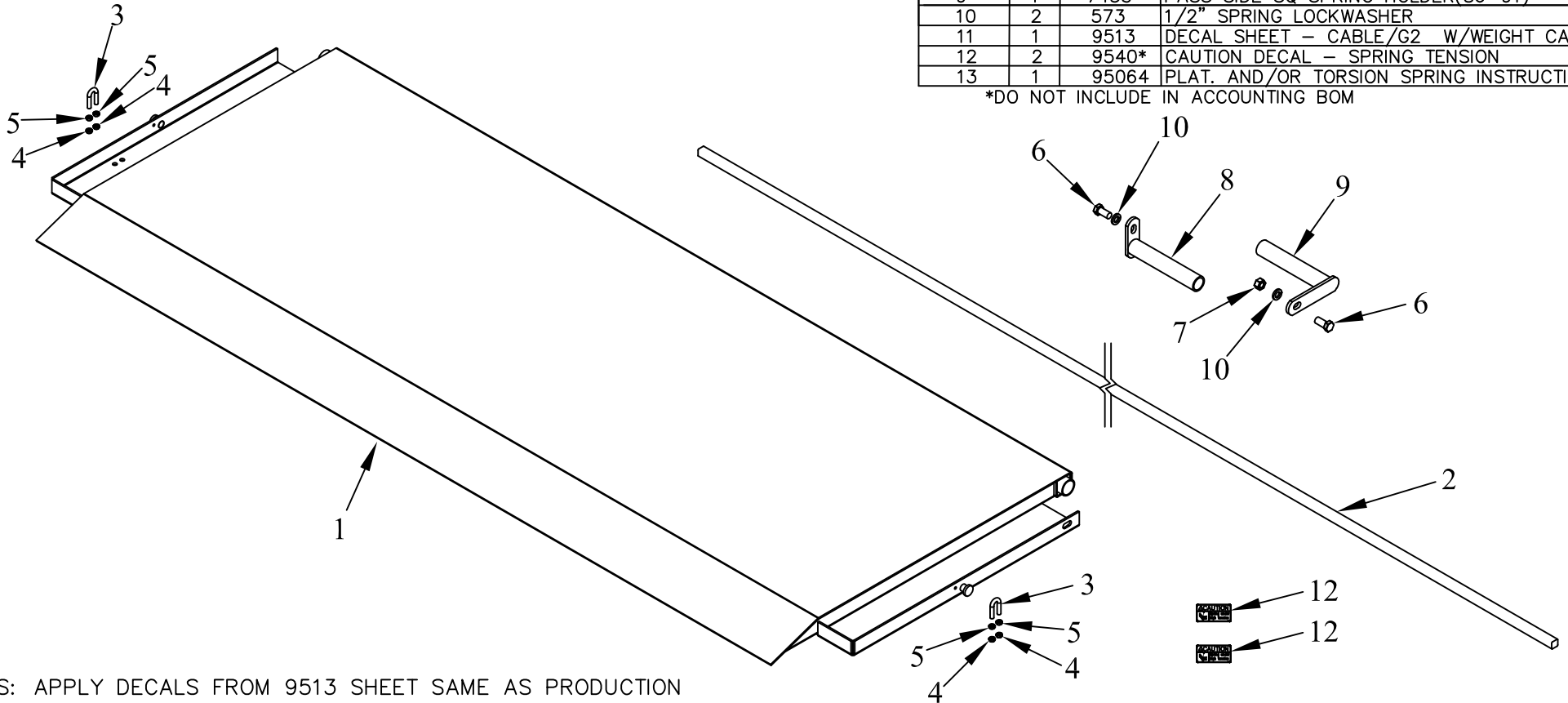


ITEM NO.	QTY.	PART NO.	DESCRIPTION
1	1	2062	(86) 36+6" TREADPLATE PLATFORM COMPLETE
2	1	5044	1/2" SQ. TORSION SPRING (86)
3	2	4727	3/8"U-BOLT(SHORT)x16x7/8x1-1/2
4	4	605	3/8-16 USS CROWN LOCK NUT
5	4	550	3/8-16 GR5 HEX NUT
6	2	587	1/2-13x1" HHCS GR5
7	1	551	1/2-13 GR5 HEX NUT (ZINC)
8	1	7433	DRIVER'S SIDE SQ SPRING HOLDER
9	1	7435	PASS SIDE SQ SPRING HOLDER(86-91)
10	2	573	1/2" SPRING LOCKWASHER
11	1	9513	DECAL SHEET - CABLE/G2 W/WEIGHT CAP.
12	2	9540*	CAUTION DECAL - SPRING TENSION
13	1	95064	PLAT. AND/OR TORSION SPRING INSTRUCTIONS

\*DO NOT INCLUDE IN ACCOUNTING BOM



NOTES: APPLY DECALS FROM 9513 SHEET SAME AS PRODUCTION  
SEND (2) 9540 LOOSE

REV.	DATE	CHANGE RECORD	BY	APPVD	ECN	DRAFT 2"	ANGULAR ±1°	SCALE N	FIN. WT. 306	PART NO. 1788	
C	1/24/17	ADDED 9513, 9540, 95064	AAS		1783						
B	3/12/10	REMOVED PN8118; ADDED PN5044, 587, 551, 7433, 7434, 573	MTC		274						
A	5/22/06	UPDATED BOM	JCB	KGJ							
						THIRD ANGLE PROJECTION		FILENAME:		WOODBINE MFG. CO. BUS BROWN DRIVE WOODBINE, IOWA 51579  The original <b>TOMMY GATE</b> hydraulic lift  THE INFORMATION HERE IS CONFIDENTIAL AND MUST NOT BE USED IN ANYWAY DETRIMENTAL TO THE INTEREST OF WOODBINE MFG.	
								SYMBOLY PER ANSI Y14.5			NOTES:
						DECIMAL    2PLC    3PLC MACHINE    .030    .015 SAW,DRILL		DRAWN BY. DJR			
						SHEAR, PUNCH FORM    .060    .030		DRAWN/DATE 3/15/05			
						TORCH, WELDING ROUGH CAST    .090    .060		TITLE (86) 36+6" TP REPLACEMENT PLATFORM			