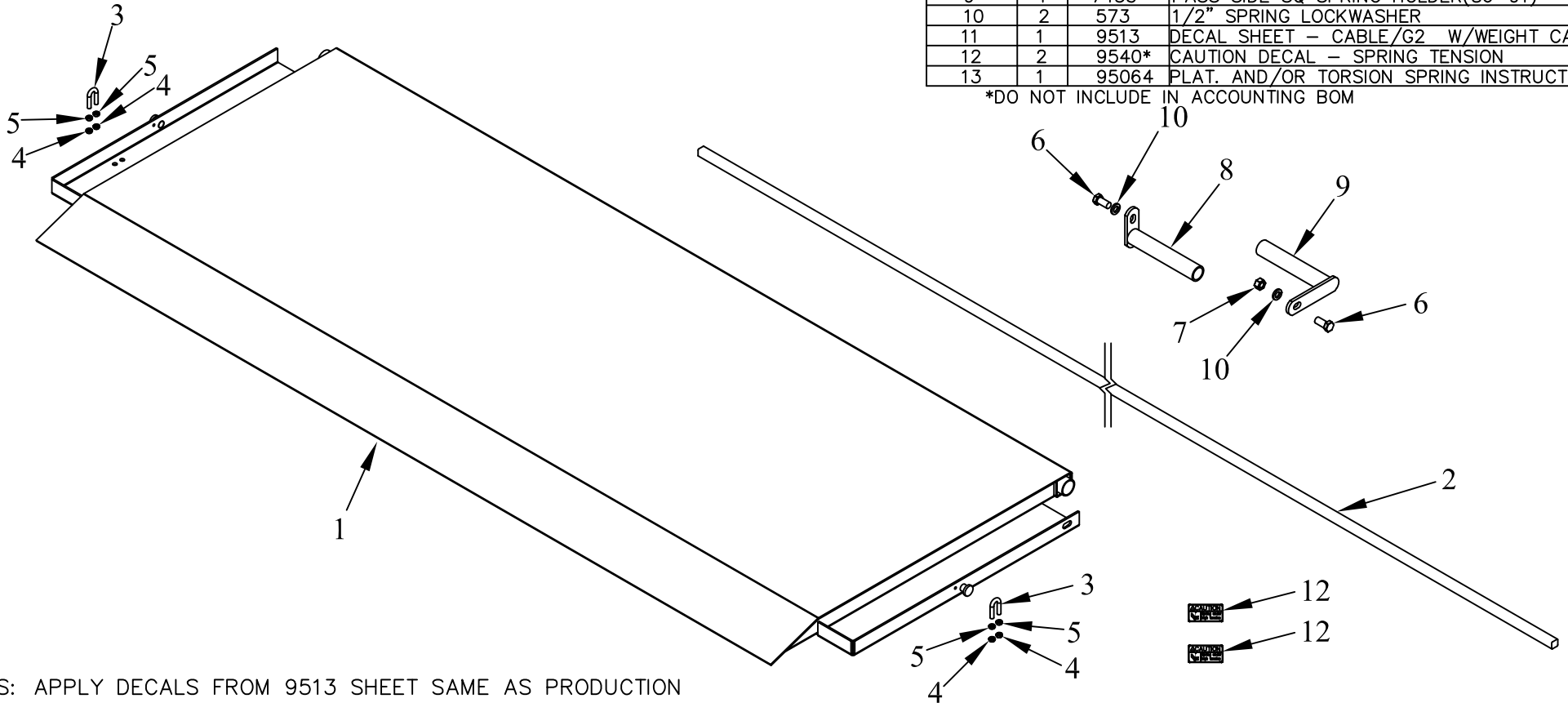



ITEM NO.	QTY.	PART NO.	DESCRIPTION
1	1	2063	(91) 36+6" TREADPLATE PLATFORM COMPLETE
2	1	5045	1/2" SQ. TORSION SPRING (91)
3	2	4727	3/8"U-BOLT(SHORT)x16x7/8x1-1/2
4	4	605	3/8-16 USS CROWN LOCK NUT
5	4	550	3/8-16 GR5 HEX NUT
6	2	587	1/2-13x1" HHCS GR5
7	1	551	1/2-13 GR5 HEX NUT (ZINC)
8	1	7433	DRIVER'S SIDE SQ SPRING HOLDER
9	1	7435	PASS SIDE SQ SPRING HOLDER(86-91)
10	2	573	1/2" SPRING LOCKWASHER
11	1	9513	DECAL SHEET - CABLE/G2 W/WEIGHT CAP.
12	2	9540*	CAUTION DECAL - SPRING TENSION
13	1	95064	PLAT. AND/OR TORSION SPRING INSTRUCTIONS

*DO NOT INCLUDE IN ACCOUNTING BOM



NOTES: APPLY DECALS FROM 9513 SHEET SAME AS PRODUCTION
SEND (2) 9540 LOOSE

REV.	DATE	CHANGE RECORD	BY	APPVD	ECN	THIRD ANGLE PROJECTION	FILENAME:	SYMBOLY PER ANSI Y14.5	NOTES:	WOODBINE MFG. CO. BUS BROWN DRIVE WOODBINE, IOWA 51579															
C	1/24/17	ADDED 9513, 9540, 95064	AAS		1783	<table border="1"> <tr> <td>DECIMAL</td> <td>2PLC</td> <td>3PLC</td> </tr> <tr> <td>MACHINE SAW, DRILL</td> <td>.030</td> <td>.015</td> </tr> <tr> <td>SHEAR, PUNCH FORM</td> <td>.060</td> <td>.030</td> </tr> <tr> <td>TORCH, WELDING ROUGH CAST</td> <td>.090</td> <td>.060</td> </tr> </table>	DECIMAL	2PLC	3PLC	MACHINE SAW, DRILL	.030	.015	SHEAR, PUNCH FORM	.060	.030	TORCH, WELDING ROUGH CAST	.090	.060	<table border="1"> <tr> <td>DRAWN BY.</td> <td>DJR</td> </tr> <tr> <td>DRAWN/DATE</td> <td>3/15/05</td> </tr> </table>	DRAWN BY.	DJR	DRAWN/DATE	3/15/05		 <small>THE INFORMATION HERE IS CONFIDENTIAL AND MUST NOT BE USED IN ANYWAY DETRIMENTAL TO THE INTEREST OF WOODBINE MFG.</small>
DECIMAL	2PLC	3PLC																							
MACHINE SAW, DRILL	.030	.015																							
SHEAR, PUNCH FORM	.060	.030																							
TORCH, WELDING ROUGH CAST	.090	.060																							
DRAWN BY.	DJR																								
DRAWN/DATE	3/15/05																								
B	3/12/10	REMOVED PN8119; ADDED PN5045, 587, 551, 7433, 7434, 573	MTC		274																				
A	5/22/06	UPDATED BOM	JCB	KGJ																					
						DRAFT 2'	ANGULAR ±1'		TITLE (91) 36+6" TP REPLACEMENT PLATFORM	SCALE N	FIN. WT. 314	PART NO. 1790													