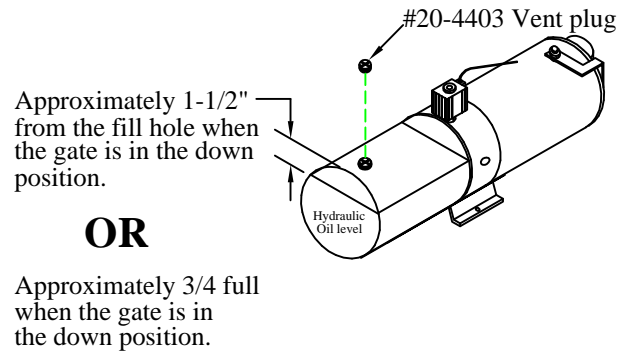


NOTICE:

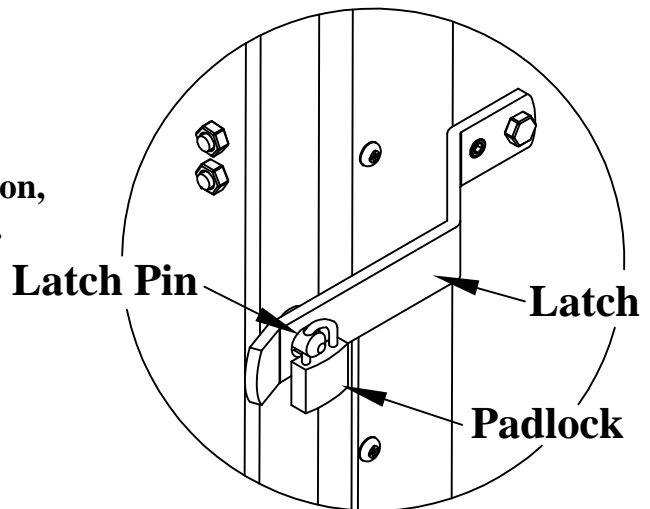
This tank is filled with the proper amount of oil. **DO NOT** add any oil at this time.

Install the vent plug in place of the solid plug after installing the gate on the truck. The solid plug is for shipping purposes only.



PLATFORM LOCK

With the platform closed and in the latched position, lock the padlock through the hole in the latch pin.



PLATFORM DROP AWAY PIN

Insert the platform drop away pin through the existing 3/8" hole in the upright back and then tighten using the supplied 3/8" nut.

