

## Tuckunder Series; TKL Mounting Instructions

---

### Installing the Optional Rear Bumper

1. Use the four (4) provided  $\frac{1}{2}$ " x 1-1/2" bolts and  $\frac{1}{2}$ " nuts to bolt the bumper in the selected position (Figure 1).
2. **Choose** one of the three positions available for the rear bumper, make sure the rear bumper does not touch the ground when the platform reaches the ground.

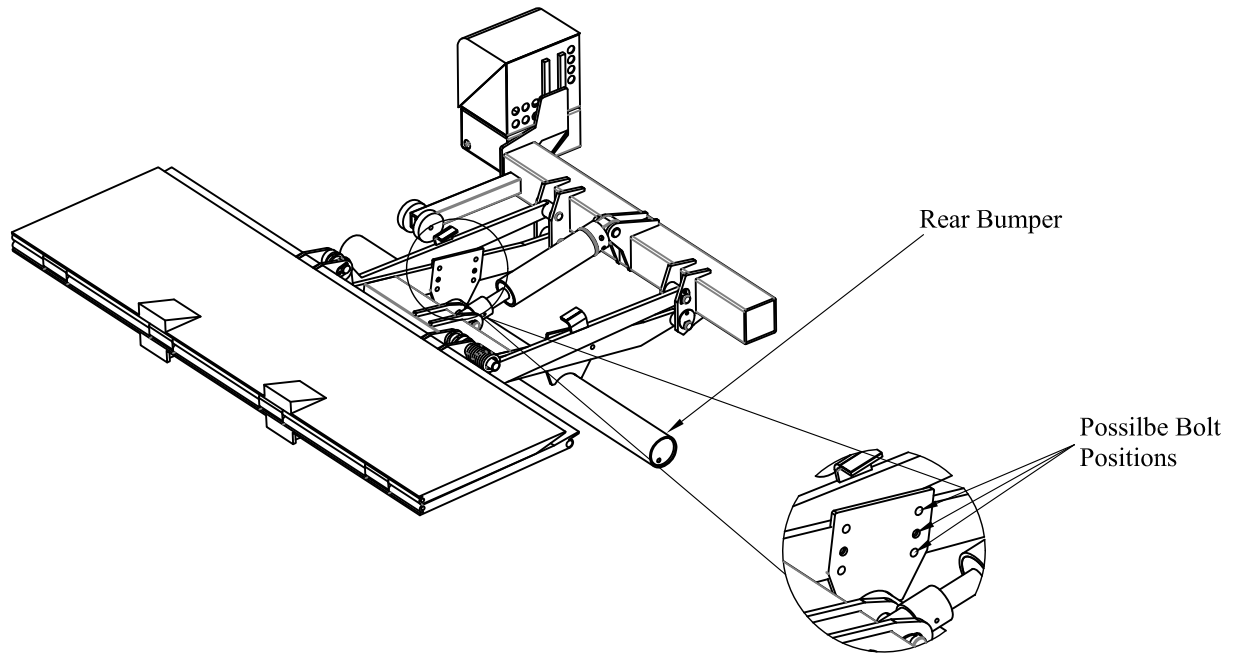


Figure 1: Rear Bumper Installation