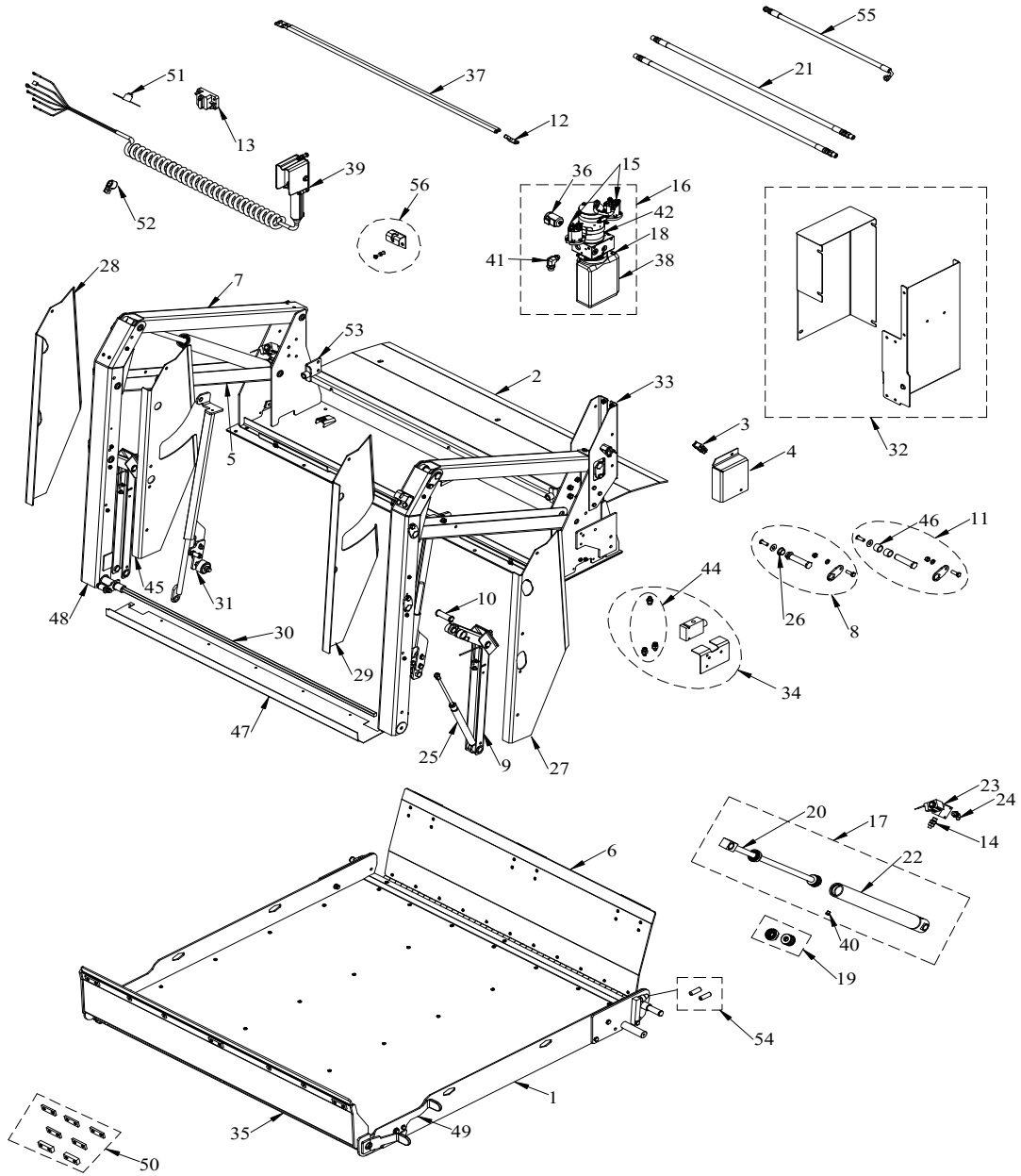


V2 SERIES PARTS DRAWING



V2 SERIES PARTS LIST

Draw. Ref.	Part No.	Description	Qty Required
1	016134	49 FA Replacement Platform	1
	016133	34 FA Replacement Platform	1
2	016052	Replacement Cover Sheet	1
3	000930	Replacement Limit Switch	1
4	016053	Replacement Limit Switch Cover	1
5	016126	Replacement Lower Arm	2
6	016054	Replacement Threshold Bridge	1
7	016127	Replacement Upper Arm	2
8	016128	Replacement Upright Pin	6
9	016130	Replacement Fold Link Assembly	2
10	016055	Replacement Fold Link Pin	2
11	016129	Replacement Upper Arm Pin	4
12	000992	Replacement Copper Lug	6
13	000998	Replacement 150 Amp Manual Reset Circuit Breaker	1
14	016056	Replacement Cylinder Straight Fitting	2
15	000995	Replacement Solenoid - 4 Post	1
16	016131	M259 Replacement Pump & Motor Unit (1.5L) (2000psi)	1
17	015876	Replacement V2 Cylinder	2
18	000989	Replacement Vent Plug	1
19	015880	Replacement V2 Cylinder Seal Kit	2
20	015877	Replacement V2 Cylinder Shaft	2
21	016057	Replacement V2 Hydraulic Hose - 96"	2
	016744	Replacement V2 Hydraulic Hose - 74"	2
22	016132	Replacement V2 Cylinder Barrel Kit	2
23	016058	Replacement V2 Cylinder Lock	2
24	016059	Replacement V2 Cylinder Lock Elbow-45 deg	2
25	016083	Replacement Damper	1
26	016084	Replacement Split Metal Bushing Kit	1
27	016085	Replacement Passenger Side Outside Plastic Shield	1
28	016086	Replacement Driver Side Outside Plastic Shield	1
29	016087	Replacement Passenger Side Inside Plastic Shield	1
30	016172	Replacement Torsion Spring (FA 49)	1
	016173	Replacement Torsion Spring (FA 34)	1
31	016104	Replacement Threshold Bridge Guide (Right and Left)	1
32	016105	Replacement Pump Box	1
33	016106	Replacement Pump Box Bracket	1
34	017418	Replacement Flow Divider - Sun (Replaces flow divider in pump box, incl. relocation)	1
	016799	Replacement Flow Divider - Sun (Replaces flow divider on upright, no relocation)	1
35	016109	Replacement Retention Ramp (FA 49)	1
	016108	Replacement Retention Ramp (FA 34)	1
36	002727	Replacement Release Solenoid External Assembly w/Connector	1
37	016110	Replacement 4 Ga. 2 Wire Electric Cable 30 FT	1
38	002728	Replacement V2 Tank	1
39	015998	Replacement Timed Control W/ Shift Button	1
40	000979	Replacement Vent Plug - Cylinder	2
41	016111	Replacement Pump Elbow-90 deg	1
42	001495	Replacement V2 Motor (only)	1
44	016112	Replacement Flow Divider Fittings	1

V2 SERIES PARTS LIST

Draw. Ref.	Part No.	Description	Qty Required
45	016088	Replacement Driver Side Inside Plastic Shield	1
46	016113	Replacement Upper Arm Bushing Kit	1
47	016114	Replacement Torsion Spring Cover	1
48	016115	Replacement Vertical Arm (Right and Left)	1
49	016116	Replacement Platform Latch	1
50	016117	Replacement Platform Bumper Kit	1
51	016119	Replacement Control Fuse	1
52	016120	Replacement Control Cord Clamp Kit	1
53	016178	Replacement FA49 Platform Stop Kit	1
	016179	Replacement FA34 Platform Stop Kit	1
54	016295	Replacement Platform Tilt Set Screw Kit	1
55	012931	Replacement Hydraulic Hose-Flow Divider	1
	012927	Replacement Hydraulic Hose-Flow Divider 75" (For Relocated Pump Box)	1
56	016135	Replacement Pendant Control Bracket	1

**Please provide the liftgate Model and Serial numbers when ordering repair parts.

Note: The above prices are for standard equipment only. Call the factory for pricing of optional equipment or special features.