

TKT Reflective Tommy Gate Flags Installation

Attaching Flags to Platform

1. **Verify** Reflective Tommy Gate Flags Kit (Figure 1 and Table 1).

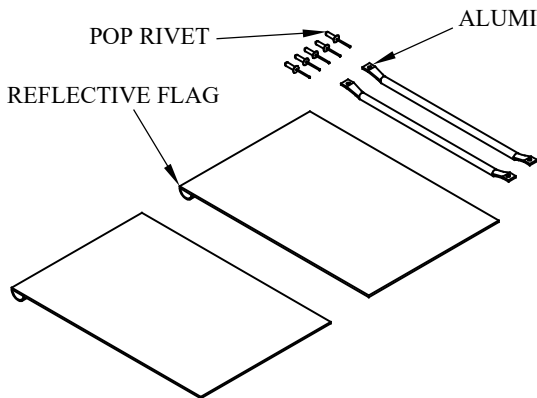


Table 1: Parts list for kit PN016925.

QTY.	PART NO.	DESCRIPTION
2	016922	ALUMINUM BAR
2	016923	TOMMY GATE REFLECTIVE FLAG
5	016924	0.1875"x0.575" ALUMINUM POP RIVET

Figure 1: Reflective Tommy Gate Flags Kit.

3. **Insert** the aluminum bar into the reflective flag.

2. **Select** a location for the reflective flags that does not obstruct the license plate:

- If your liftgate has the Tommy Gate license plate or other kit installed outside of the mounting brackets, use the four (4) holes indicated as "A" on Figure 3.
- If your liftgate has license plate installed inside of the mounting plates, use the four (4) holes indicated as "B" on Figure 3.

3. **Make sure** there's no obstructions before drilling the holes.

4. **Drill** four (4) 3/16" holes (position A or B) as indicated on Figure 2.

You may also use the aluminum bar as a template to guarantee fit. If your liftgate has pre-drilled holes skip this step.

5. **Verify** the Tommy Gate logo facing the platform and the blank side facing up (Figure 3). Reflective side shall face the taper end of the platform when liftgate is deployed.

4. **Rivet** the aluminum bar to the platform using the provided rivets.

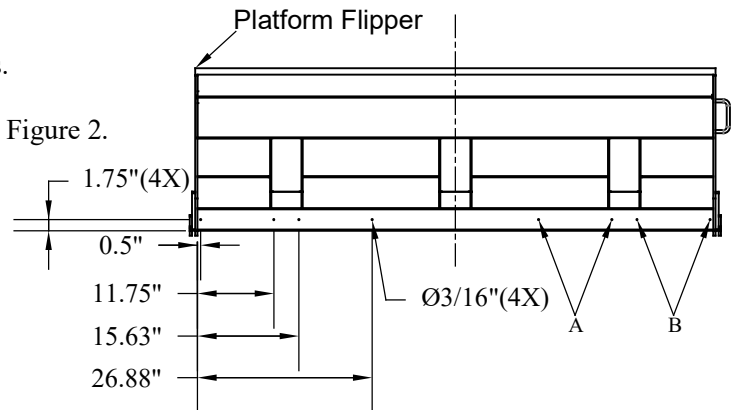


Figure 2: Platform Hole Positions (aluminum platform might have a different representation, drilling position remains the same).

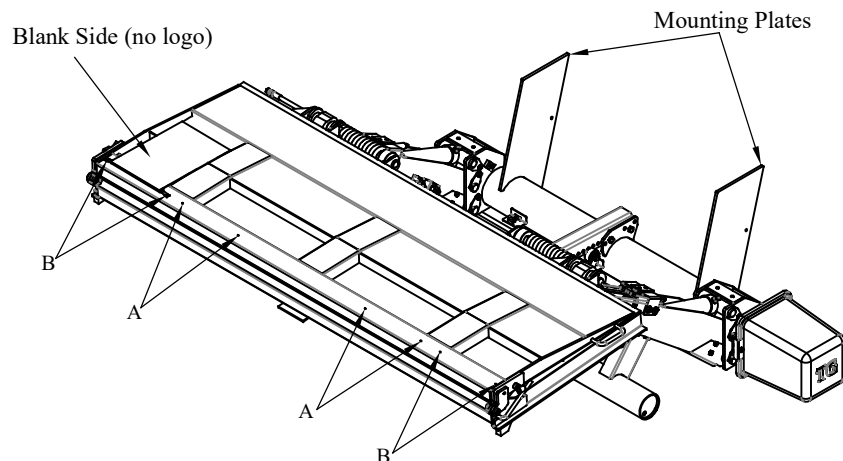


Figure 3: Platform Reflective Flags.