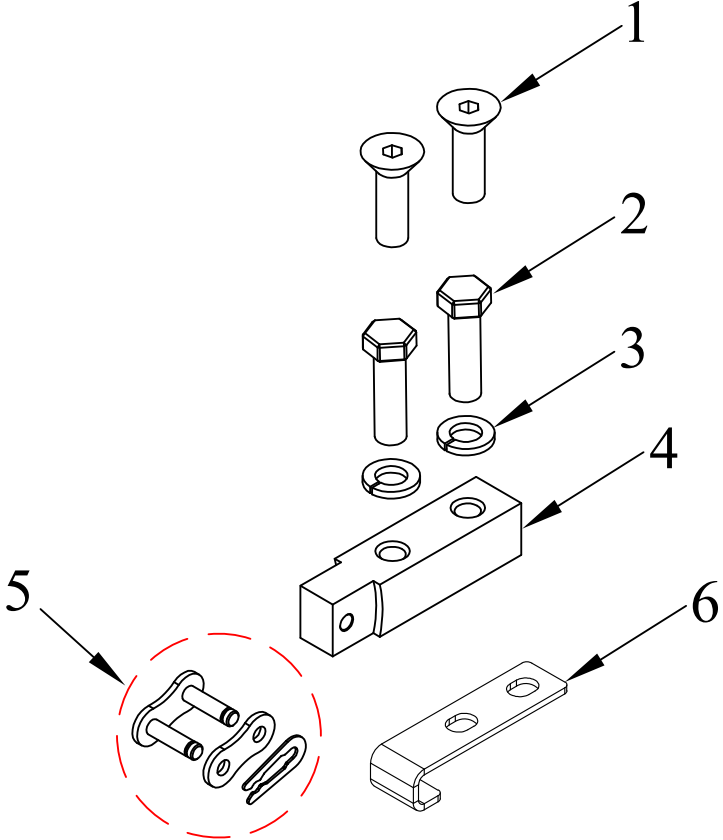


ITEM NO.	QTY.	PART NO.	DESCRIPTION
1	2	000514	3/8-16x1-1/4" FLHD SHCS
2	2	000510	3/8-16x1-1/4" HHCS GR5
3	2	000572	3/8" SPRING LOCK WASHER
4	1	007656	3/4"SQ.x3.03" CHAIN HOLDER
5	1	007661	50 SERIES CONNECTING LINK
6	1	012614	PLATED CHAIN SHIELD



						THIRD ANGLE PROJECTION	FILENAME:	WOODBINE MFG. CO. BUS BROWN DRIVE WOODBINE, IOWA 51579				
							SYMBOLY PER ANSI Y14.5	NOTES:				
						DECIMAL	2PLC	3PLC	712-647-2050			
						MACHINE SAW, DRILL	.030	.015				
B.1	9/11/15	BOM CORRECTION TO MATCH PRODUCTION, 12614 WAS 11979	GDB			SHEAR, PUNCH FORM	.060	.030	THE INFORMATION HERE IS CONFIDENTIAL AND MUST NOT BE USED IN ANYWAY DETRIMENTAL TO THE INTEREST OF WOODBINE MFG.			
B	4/25/12	ADD (1) 011979	GDB		648	TORCH, WELDING ROUGH CAST	.090	.060				
REV.	DATE	CHANGE RECORD	BY	APPVD	ECN	DRAFT 2'	ANGULAR ±1'	SALES CATEGORY	PRODUCT LINE	SCALE N	FIN. WT.	PART NO. 8030