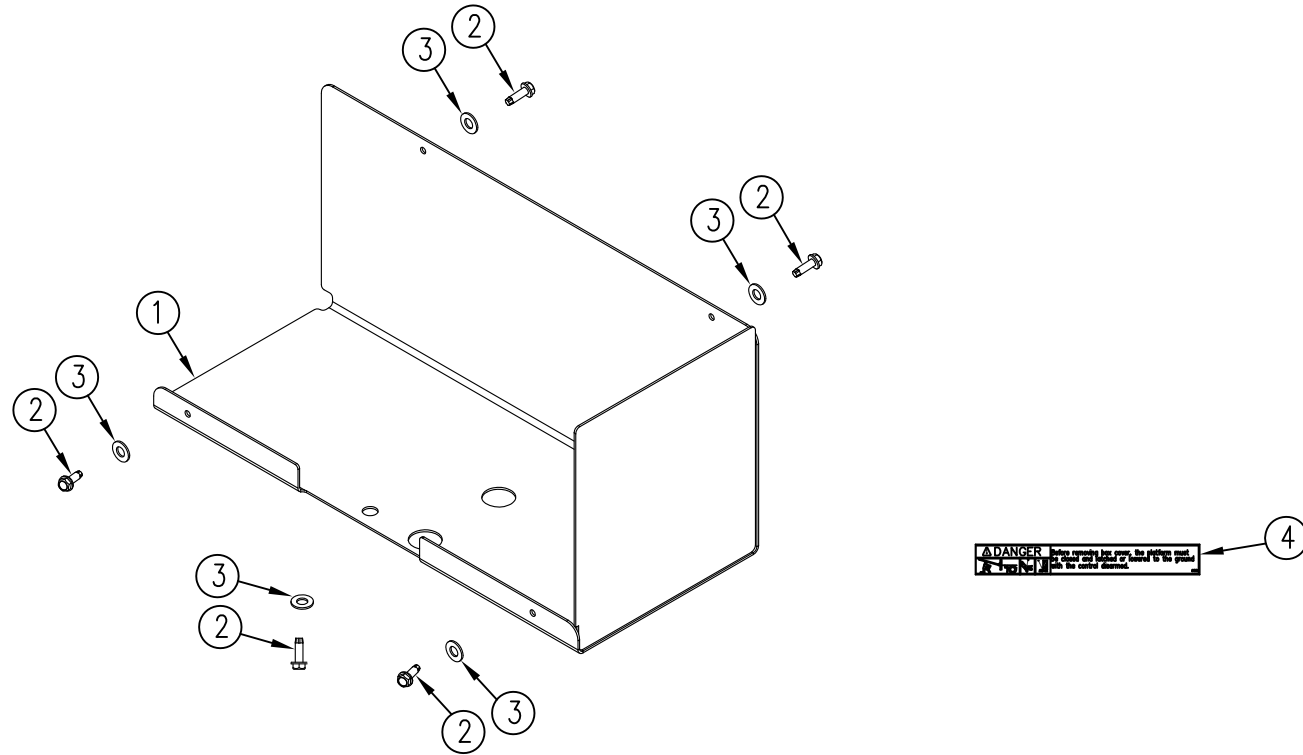


ITEM NO.	QTY.	PART NO.	DESCRIPTION
1	1	010375	POWER UNIT CASE BOTTOM WELDMENT (CANTILEVER)
2	5	013980	1/4-20x3/4" SS TY F HEX HD
3	5	000569	1/4" USS FLAT WASHER
4	1	009556	BOX COVER DANGER DECAL



REV.	DATE	CHANGE RECORD	BY	APPVD	ECN	THIRD ANGLE PROJECTION	FILENAME:	SYMBOLY PER ANSI Y14.5	NOTES:	WOODBINE MFG. CO. BUS BROWN DRIVE WOODBINE, IOWA 51579 712-647-2050		
C	8/10/15	REPLACE 747 WITH 13980	AAS		1463	DECIMAL MACHINE SAW, DRILL				<p>THE INFORMATION HERE IS CONFIDENTIAL AND MUST NOT BE USED IN ANYWAY DETRIMENTAL TO THE INTEREST OF WOODBINE MFG.</p>		
B	2/6/12	ADDED 9556	JCB		561	SHEAR, PUNCH FORM						
A	6/29/11	RELEASED TO PRODUCTION	JCB		450	TORCH, WELDING ROUGH CAST						
						DRAFT 2°	ANGULAR ±1°	SALES CATEGORY	PRODUCT LINE		SCALE 1:6	FIN. WT.