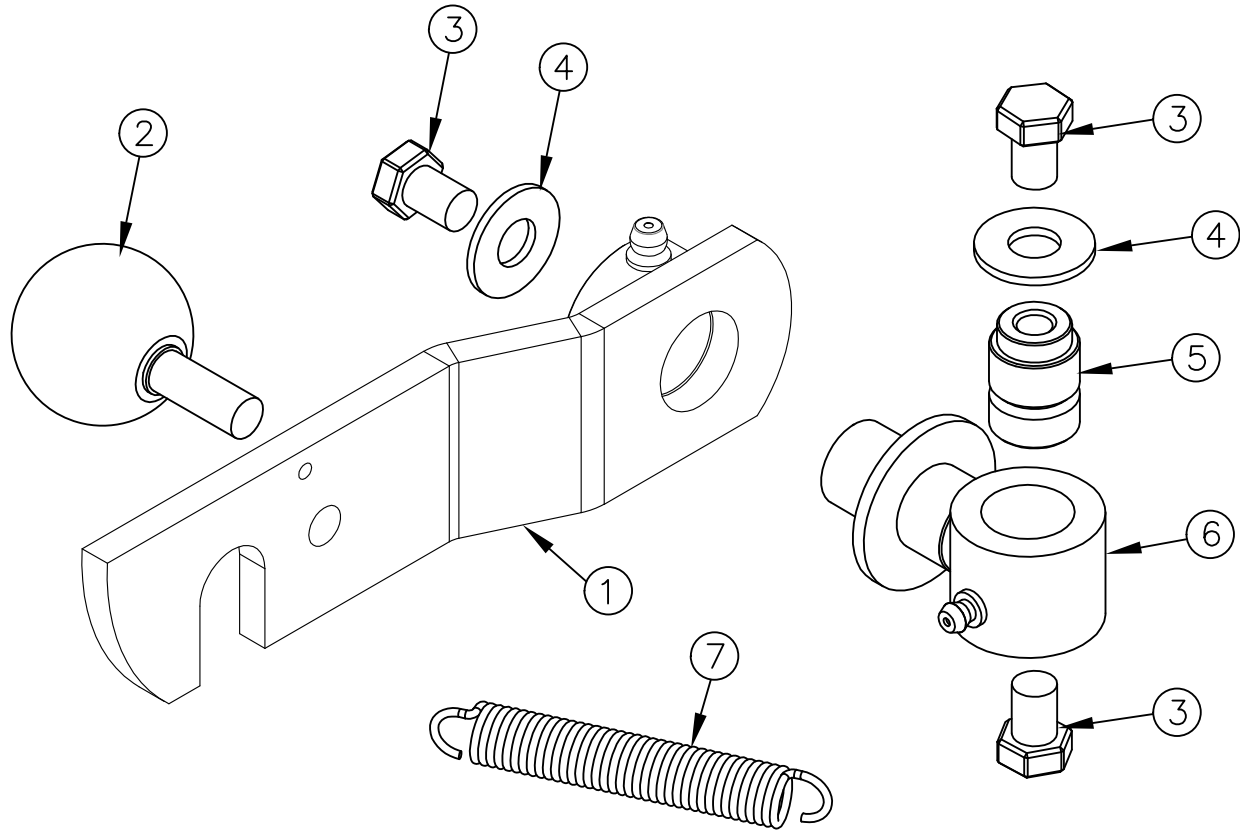


ITEM NO.	QTY.	PART NO.	DESCRIPTION
1	1	013400	COM STRTSIDE SWIVEL (BENT) (74)
2	1	001127	LATCH KNOB WITH STUD
3	3	000507	3/8-16x1/2" HHCS GR5
4	2	000575	3/8" USS FLAT WASHER
5	1	007488	.75"DIA.x1.031"SWIVEL LATCH PIN
6	1	013407	74 SWIVEL - EA PLATFORM
7	1	003821	501 LATCH SPRING-CABLE GATE



				THIRD ANGLE PROJECTION		FILENAME:		WOODBINE MFG. CO. BUS BROWN DRIVE WOODBINE, IOWA 51579															
						SYMBOLY PER ANSI Y14.5		NOTES:															
				<table border="1"> <tr> <td>DECIMAL</td> <td>2PLC</td> <td>3PLC</td> </tr> <tr> <td>MACHINE SAW, DRILL</td> <td>.030</td> <td>.015</td> </tr> <tr> <td>SHEAR, PUNCH FORM</td> <td>.060</td> <td>.030</td> </tr> <tr> <td>TORCH, WELDING ROUGH CAST</td> <td>.090</td> <td>.060</td> </tr> </table>		DECIMAL	2PLC	3PLC	MACHINE SAW, DRILL	.030	.015	SHEAR, PUNCH FORM	.060	.030	TORCH, WELDING ROUGH CAST	.090	.060	DRAWN BY: GDB		DRAWN/DATE 8/4/15		712-647-2050	
DECIMAL	2PLC	3PLC																					
MACHINE SAW, DRILL	.030	.015																					
SHEAR, PUNCH FORM	.060	.030																					
TORCH, WELDING ROUGH CAST	.090	.060																					
						APPVD/DATE		TITLE EA DRIVER'S SIDE LATCH ASY (SWING AWAY) (74)															
A	8/4/15	RELEASED TO PRODUCTION		GDB	1457	SALES CATEGORY		PRODUCT LINE	SCALE N	FIN. WT.	PART NO. 14538												
REV.	DATE	CHANGE RECORD		BY	APPVD	ECN																	

THE INFORMATION HERE IS CONFIDENTIAL AND MUST NOT BE USED IN ANYWAY DETRIMENTAL TO THE INTEREST OF WOODBINE MFG.