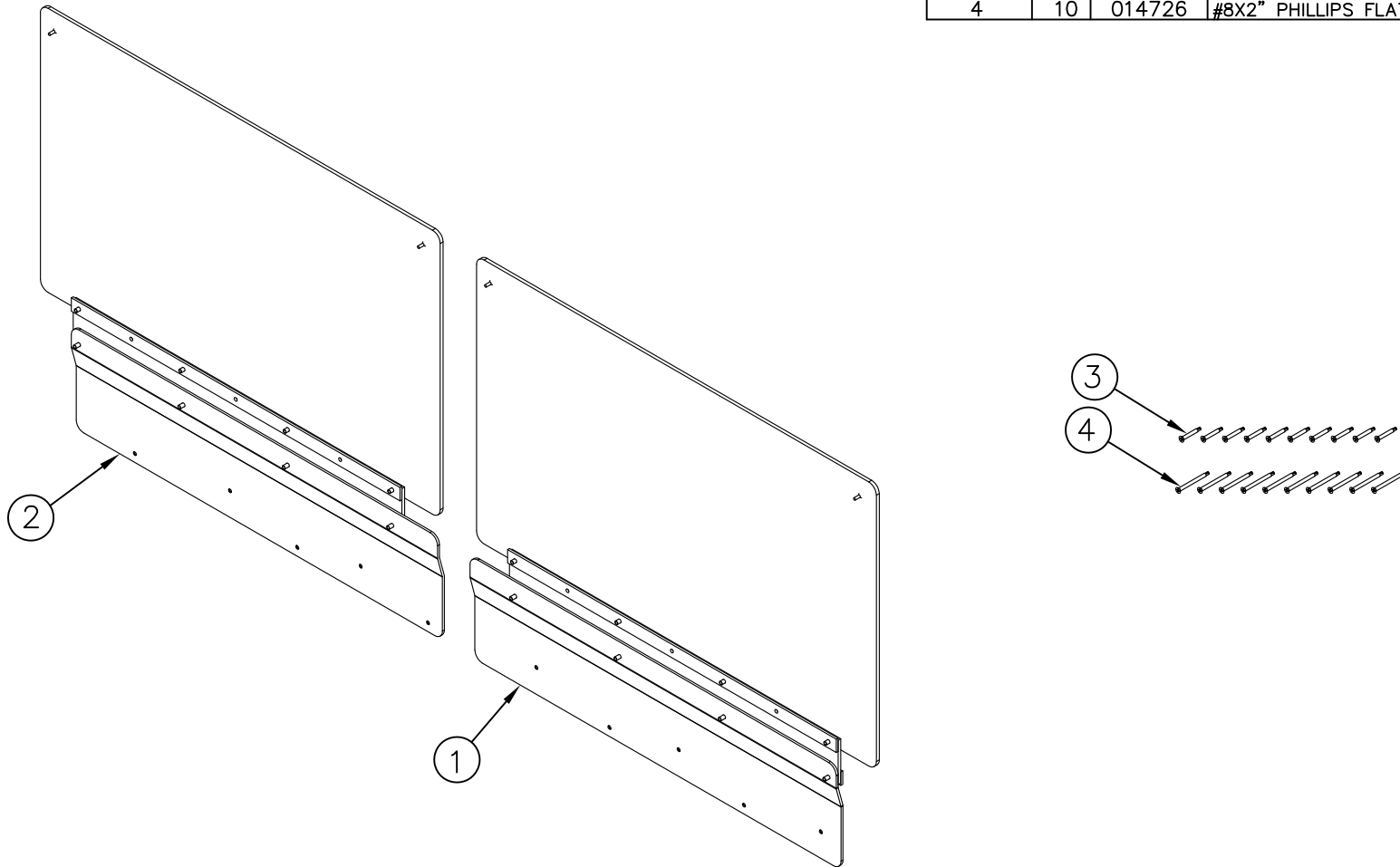


ITEM NO.	QTY.	PART NO.	DESCRIPTION
1	1	011193	CANTILEVER BRIDGE ASSEMBLY-RIGHT NISSAN
2	1	011194	CANTILEVER BRIDGE ASSEMBLY-LEFT NISSAN
3	10	011196	#8X1-1/4" PHILLIPS FLAT SELF DRILLING SCREW-ZP
4	10	014726	#8X2" PHILLIPS FLAT SELF DRILLING SCREW-ZP



REV.	DATE	CHANGE RECORD	BY	APPVD	ECN	THIRD ANGLE PROJECTION	FILENAME:	SYMBOLY PER ANSI Y14.5	NOTES:	WOODBINE MFG. CO. BUS BROWN DRIVE WOODBINE, IOWA 51579
B	4/8/16	ADDED (10) 14726	JCB		1610			DECIMAL MACHINE SAW, DRILL 2PLC .030 3PLC .015 DRAWN BY. JCB DRAWN/DATE 3/4/14		
A	3/4/14	RELEASED FOR PRODUCTION	JCB		1070	SHEAR, PUNCH FORM TORCH, WELDING ROUGH CAST DRAFT 2' ANGULAR ±1'	APPVD/DATE SALES CATEGORY PRODUCT LINE SCALE 1:8 FIN. WT. PART NO. 13661	THE INFORMATION HERE IS CONFIDENTIAL AND MUST NOT BE USED IN ANYWAY DETRIMENTAL TO THE INTEREST OF WOODBINE MFG.		