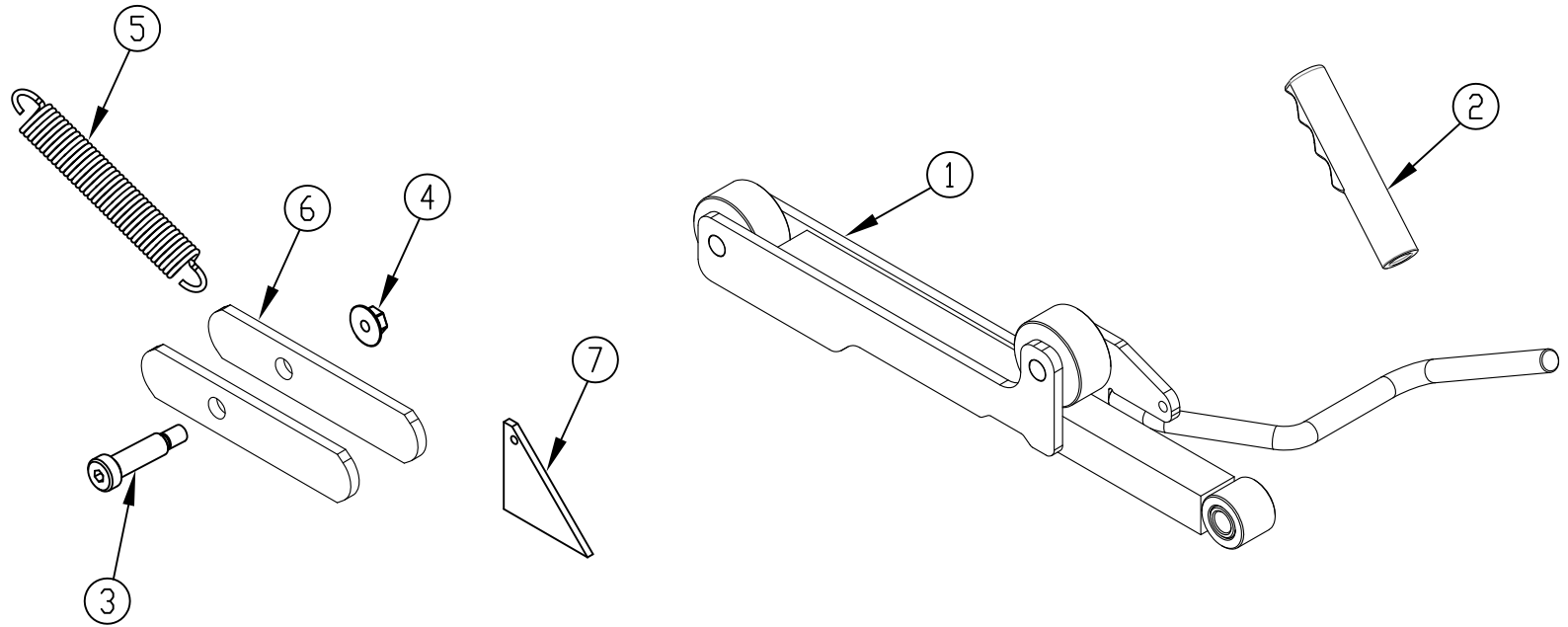


ITEM NO.	QTY.	PART NO.	DESCRIPTION
1	1	010406	SELF CLOSE ARM (RIGHT) WITH HANDLE
2	1	002657	HANDLE GRIP - 4.50" X 1/2" DIAM
3	1	001902	1/2"DIA.x1-1/2" CHROME SHOULDER BOLT
4	1	000553	3/8-16 LARGE FLANGE LOCK NUT
5	1	001914	0.115"WIREx.75"x5.5" EXTENSION SPRING
6	2	001923	.25"x1.25"x6.25" AL BAR
7	1	009897	.190"x2.25"x2.5" ALUM TRI SC LUG
8	1	095099	SELF-CLOSE ARM REPLACEMENT INSTRUCTIONS



REV.	DATE	CHANGE RECORD	BY	APPVD	ECN	THIRD ANGLE PROJECTION	FILENAME:	SYMBOLY PER ANSI Y14.5	NOTES:	WOODBINE MFG. CO. BUS BROWN DRIVE WOODBINE, IOWA 51579 712-647-2050																			
C	2/20/14	REPLACED 11825 WITH INDIVIDUAL PARTS	JCB		966																								
B	8/23/12	ADD 2657, 95099	JAR		718		<table border="1"> <tr> <td>DECIMAL</td> <td>2PLC</td> <td>3PLC</td> </tr> <tr> <td>MACHINE SAW, DRILL</td> <td>.030</td> <td>.015</td> </tr> <tr> <td>SHEAR, PUNCH FORM</td> <td>.060</td> <td>.030</td> </tr> <tr> <td>TORCH, WELDING ROUGH CAST</td> <td>.090</td> <td>.060</td> </tr> </table>	DECIMAL	2PLC		3PLC	MACHINE SAW, DRILL	.030	.015	SHEAR, PUNCH FORM	.060	.030	TORCH, WELDING ROUGH CAST	.090	.060	<table border="1"> <tr> <td>DRAWN BY.</td> <td>JAR</td> </tr> <tr> <td>DRAWN/DATE</td> <td>11/11/11</td> </tr> <tr> <td>APPVD/DATE</td> <td></td> </tr> </table>	DRAWN BY.	JAR	DRAWN/DATE	11/11/11	APPVD/DATE			<p>THE INFORMATION HERE IS CONFIDENTIAL AND MUST NOT BE USED IN ANYWAY DETRIMENTAL TO THE INTEREST OF WOODBINE MFG.</p>
DECIMAL	2PLC	3PLC																											
MACHINE SAW, DRILL	.030	.015																											
SHEAR, PUNCH FORM	.060	.030																											
TORCH, WELDING ROUGH CAST	.090	.060																											
DRAWN BY.	JAR																												
DRAWN/DATE	11/11/11																												
APPVD/DATE																													
A	11/11/11	RELEASED TO PRODUCTION	JAR		539			TITLE REPLACEMENT ALUM PLATFORM ARM KIT(25/30)																					
						DRAFT 2'	ANGULAR ±1'	SALES CATEGORY	PRODUCT LINE	SCALE 1:4	FIN. WT.	PART NO. 11824																	