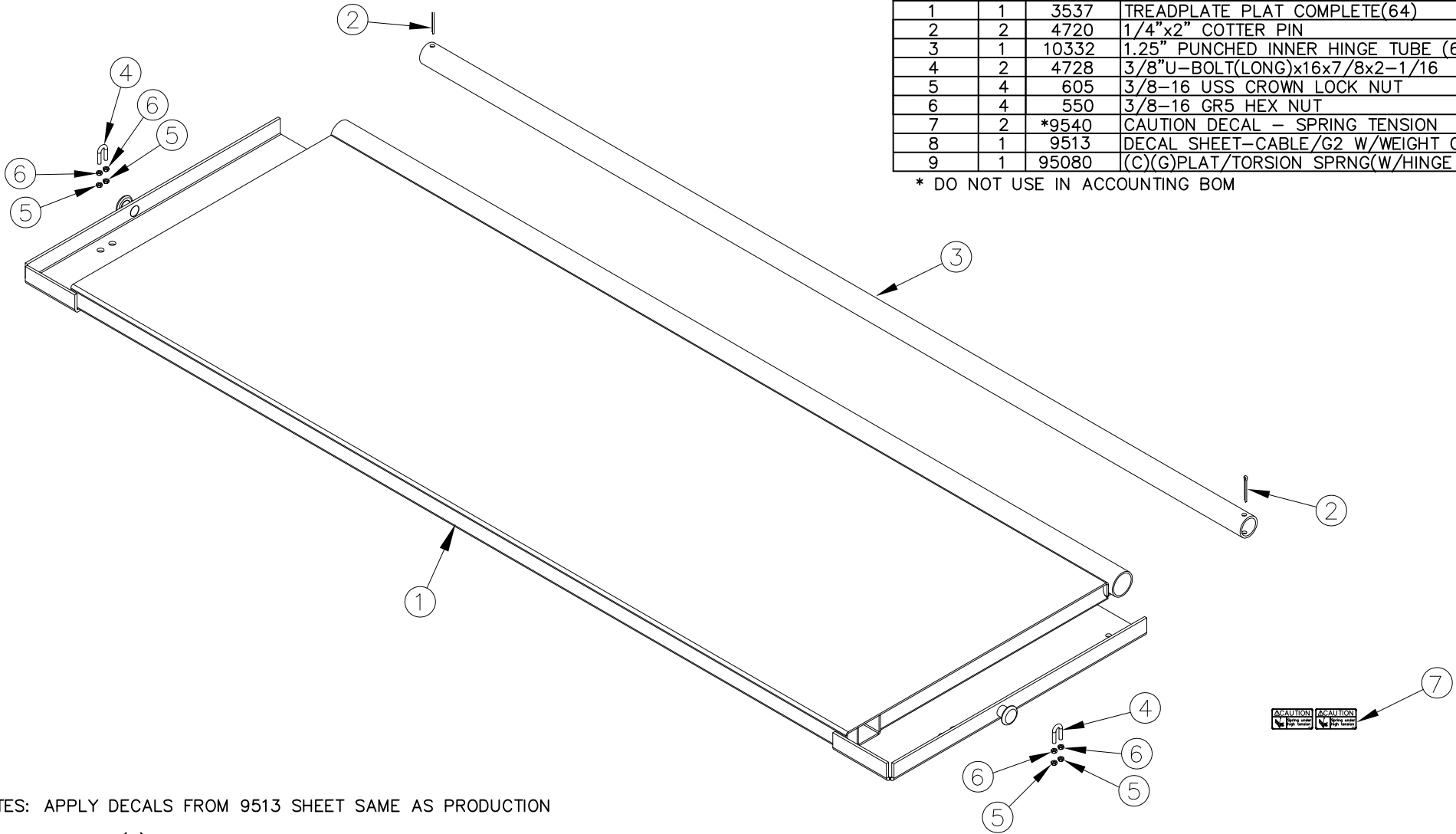


ITEM NO.	QTY.	PART NO.	DESCRIPTION
1	1	3537	TREADPLATE PLAT COMPLETE(64)
2	2	4720	1/4"x2" COTTER PIN
3	1	10332	1.25" PUNCHED INNER HINGE TUBE (64)
4	2	4728	3/8"U-BOLT(LONG)x16x7/8x2-1/16
5	4	605	3/8-16 USS CROWN LOCK NUT
6	4	550	3/8-16 GR5 HEX NUT
7	2	*9540	CAUTION DECAL - SPRING TENSION
8	1	9513	DECAL SHEET-CABLE/G2 W/WEIGHT CAP.
9	1	95080	(C)(G)PLAT/TORSION SPRNG(W/HINGE TUBE)

* DO NOT USE IN ACCOUNTING BOM



NOTES: APPLY DECALS FROM 9513 SHEET SAME AS PRODUCTION
SEND (2) 9540 LOOSE

					THIRD ANGLE PROJECTION			FILENAME:		WOODBINE MFG. CO. BUS BROWN DRIVE WOODBINE, IOWA 51579																	
								SYMBOLY PER ANSI Y14.5				NOTES:															
					<table border="1"> <tr> <td>DECIMAL</td> <td>2PLC</td> <td>3PLC</td> </tr> <tr> <td>MACHINE SAW, DRILL</td> <td>.030</td> <td>.015</td> </tr> <tr> <td>SHEAR, PUNCH FORM</td> <td>.060</td> <td>.030</td> </tr> <tr> <td>TORCH, WELDING ROUGH CAST</td> <td>.090</td> <td>.060</td> </tr> </table>			DECIMAL	2PLC	3PLC	MACHINE SAW, DRILL			.030	.015	SHEAR, PUNCH FORM	.060	.030	TORCH, WELDING ROUGH CAST	.090	.060	DRAWN BY. DJR		DRAWN/DATE 11/17/04		TITLE (64-1340) TP REPLACEMENT PLATFORM	
DECIMAL	2PLC	3PLC																									
MACHINE SAW, DRILL	.030	.015																									
SHEAR, PUNCH FORM	.060	.030																									
TORCH, WELDING ROUGH CAST	.090	.060																									
								APPVD/DATE																			
C	8/26/22	ADDED 95080, 9513 AND 9540			AAS	2780	SALES CATEGORY		PRODUCT LINE	SCALE N	FIN. WT.	PART NO. 1658															
B	5/28/10	REPLACED 6403 WITH 10332			JCB	276																					
REV.	DATE	CHANGE RECORD			BY	APPVD	ECN	DRAFT 2*	ANGULAR ±1*																		