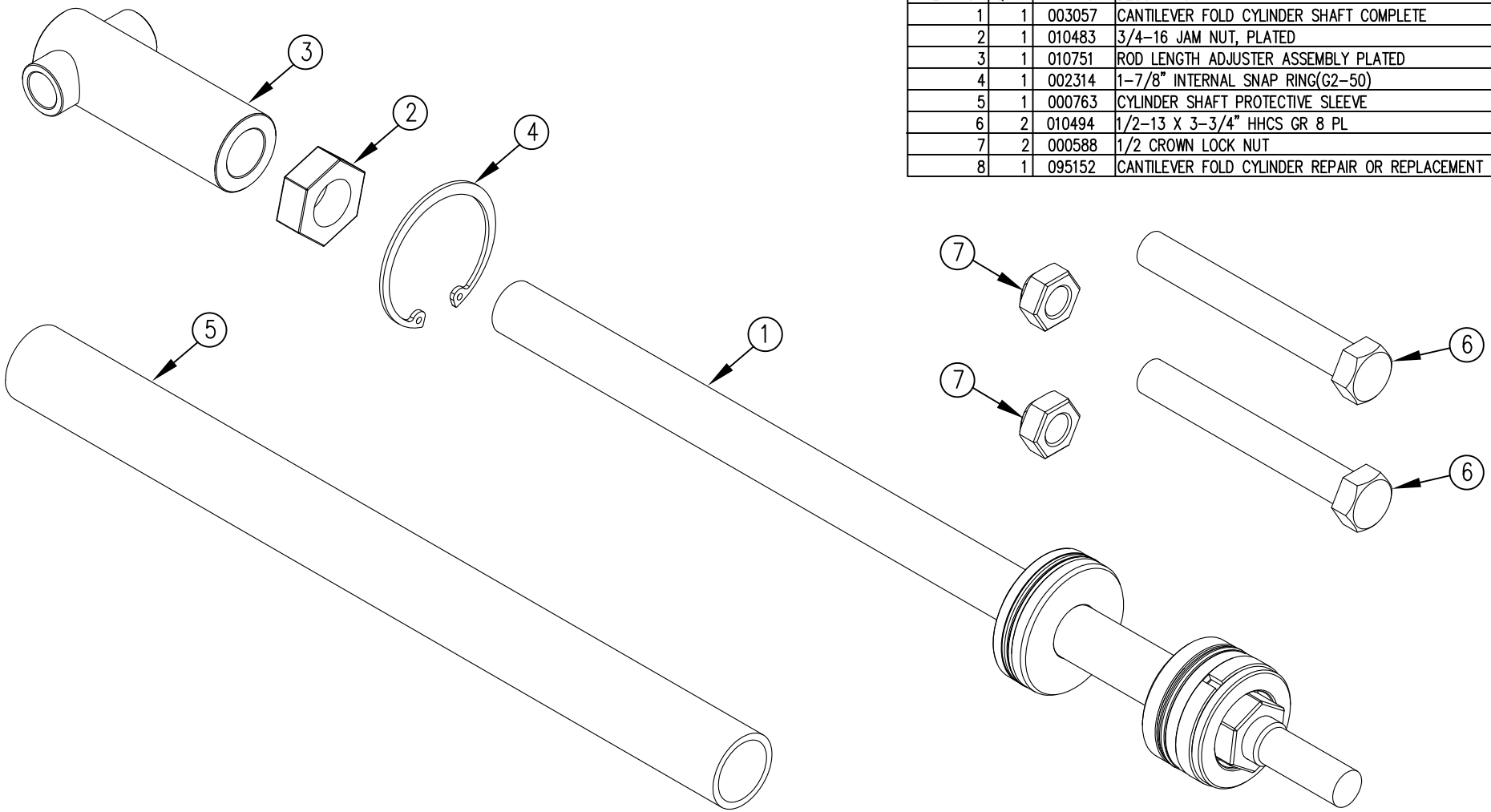



ITEM NO.	QTY.	PART NO.	DESCRIPTION
1	1	003057	CANTILEVER FOLD CYLINDER SHAFT COMPLETE
2	1	010483	3/4-16 JAM NUT, PLATED
3	1	010751	ROD LENGTH ADJUSTER ASSEMBLY PLATED
4	1	002314	1-7/8" INTERNAL SNAP RING(G2-50)
5	1	000763	CYLINDER SHAFT PROTECTIVE SLEEVE
6	2	010494	1/2-13 X 3-3/4" HHCS GR 8 PL
7	2	000588	1/2 CROWN LOCK NUT
8	1	095152	CANTILEVER FOLD CYLINDER REPAIR OR REPLACEMENT INSTR.



NOTE: ACCOUNTING DO NOT INCLUDE 763 IN BOM

REV.	DATE	CHANGE RECORD	BY	APPVD	ECN	THIRD ANGLE PROJECTION	FILENAME:	SYMBOLY PER ANSI Y14.5	NOTES:	WOODBINE MFG. CO. BUS BROWN DRIVE WOODBINE, IOWA 51579 712-647-2050	
B	1/16/15	ADDED 95152	JCB		1300	DECIMAL MACHINE SAW,DRILL				 <p>THE INFORMATION HERE IS CONFIDENTIAL AND MUST NOT BE USED IN ANYWAY DETRIMENTAL TO THE INTEREST OF WOODBINE MFG.</p>	
A.1	9/3/14	ADDED NOTE	GDB			SHEAR, PUNCH FORM					
A	8/3/11	RELEASED TO PRODUCTION	JCB		450	TORCH, WELDING ROUGH CAST					
						DRAFT 2°					
						ANGULAR ±1°	SALES CATEGORY	PRODUCT LINE	SCALE 1:2	FIN. WT.	PART NO. 11454