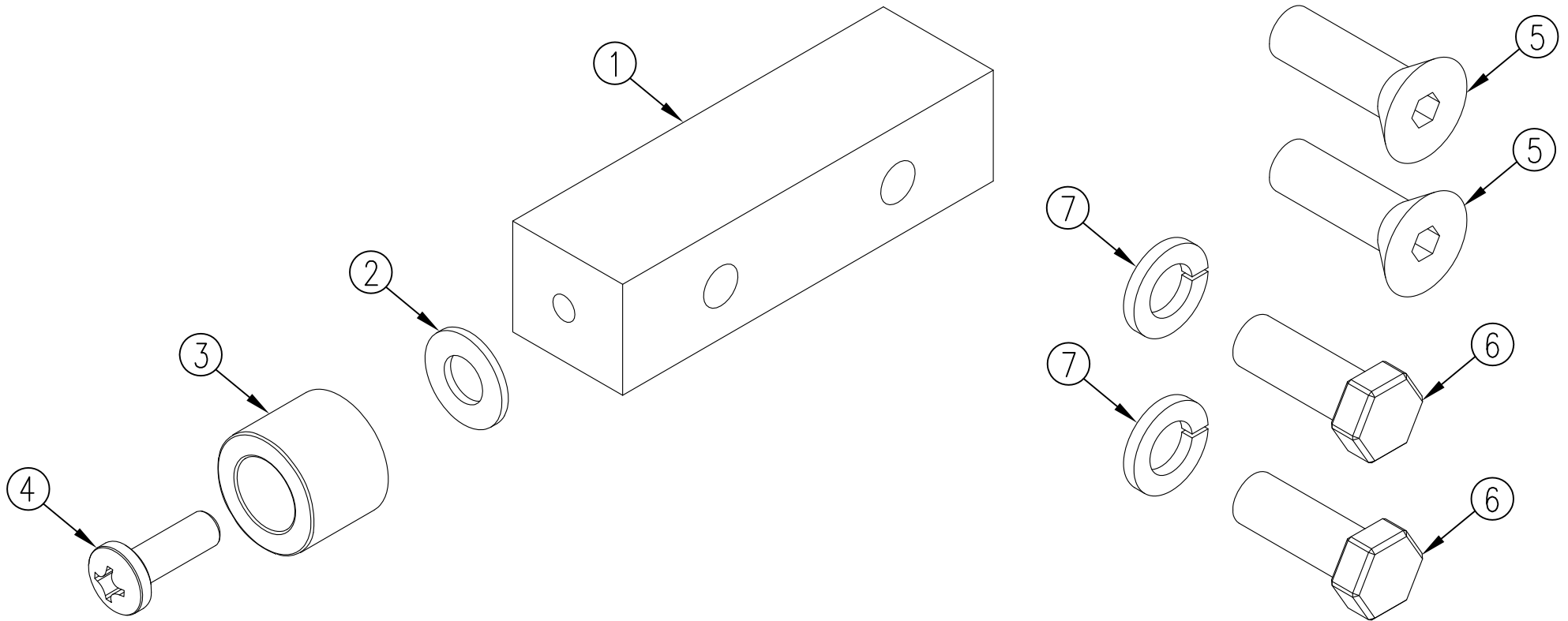


ITEM NO.	QTY.	PART NO.	DESCRIPTION
1	1	008034	RAIL PLATFORM STOP (TA)
2	1	000569	1/4" USS FLAT WASHER
3	1	001210	PLATFORM BUMPER STOP (RAIL)
4	1	000747	1/4-20x3/4" SS TY F PH PAN HD
5	2	000514	3/8-16x1-1/4" FLHD SHCS
6	2	000509	3/8-16x1" HHCS GR5
7	2	000572	3/8" SPRING LOCK WASHER



REV.	DATE	CHANGE RECORD	BY	APPVD	ECN	DRAFT 2"	ANGULAR ±1°	SALES CATEGORY	PRODUCT LINE	SCALE 1:1	FIN. WT.	PART NO. 2510
D	8/28/13	REPLACED 504 WITH 747	JCB		949							
C	2/5/09	REMOVED PN000711 AND ADDED PN000514	MTC	MTC	104							
B	1/20/09	UPDATED ILLUSTRATION OF PN008034	MTC	MTC								
						THIRD ANGLE PROJECTION 		FILENAME: SYMBOLY PER ANSI Y14.5		NOTES:		
						DECIMAL MACHINE SAW, DRILL .030 .015		DRAWN BY: JCB		WOODBINE MFG. CO. BUS BROWN DRIVE WOODBINE, IOWA 51579 712-647-2050 		
						SHEAR, PUNCH FORM .060 .030		DRAWN/DATE 9/27/07		THE INFORMATION HERE IS CONFIDENTIAL AND MUST NOT BE USED IN ANYWAY DETRIMENTAL TO THE INTEREST OF WOODBINE MFG.		
						TORCH, WELDING ROUGH CAST .090 .060		APPVD/DATE		TITLE REPLACEMENT RAIL PLATFORM STOP (TA)		