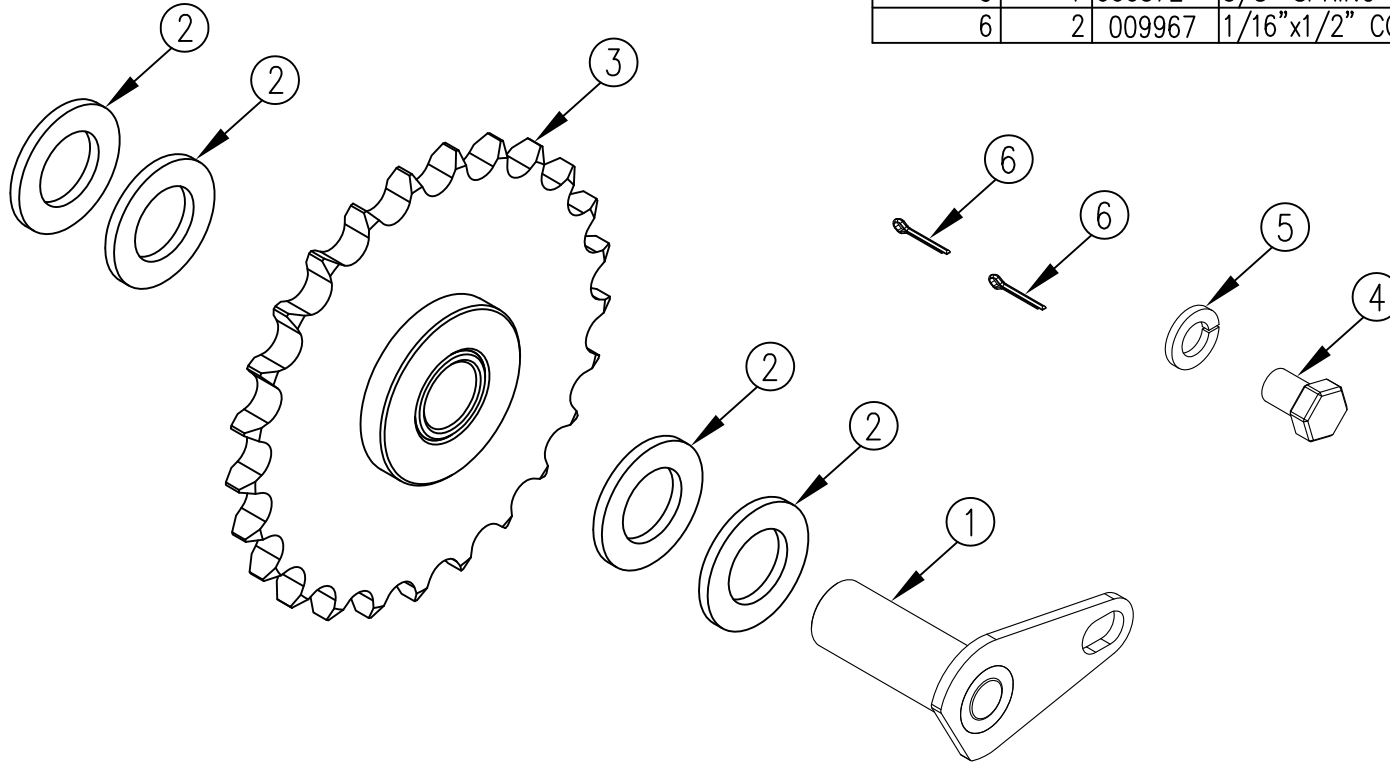


| ITEM NO. | QTY. | PART NO. | DESCRIPTION |
|----------|------|----------|-------------------------------------|
| 1 | 1 | 002295 | SPROCKET PIN WLDMT |
| 2 | 4 | 000622 | 3/4"IDx1-1/4"OD FLATWASHER(650)*ZP* |
| 3 | 1 | 007648 | #50C25-1" SPROCKET WITH BUSHING |
| 4 | 1 | 000507 | 3/8-16x1/2"HHCS GR5 |
| 5 | 1 | 000572 | 3/8" SPRING LOCK WASHER |
| 6 | 2 | 009967 | 1/16"x1/2" COTTER PIN |



| REV. | DATE | CHANGE RECORD | BY | APPVD | ECN | THIRD ANGLE PROJECTION | FILENAME: | SYMBOLY PER ANSI Y14.5 | NOTES: | WOODBINE MFG. CO. BUS BROWN DRIVE WOODBINE, IOWA 51579 712-647-2050 | | | | | | | | | | | | | | | | | | | | | | | | | | | | | | | | |
|---------------------------|--------------------------|-------------------|-----|-------|-----|--|-----------|------------------------|--------|--|------|------|-------------------|------|------|---------------------------|------|------|----------|-------------|--|--|-----------|-----|------------|---------|------------|--------|----------------|----|---|-------|--------------------------|--------------|------|-------|-----|----------|--|----------|------|---|
| B | 8/15/07 | REDESIGNED KEEPER | JCB | KGJ | | <table border="1"> <tr> <td>DECIMAL</td> <td>2PLC</td> <td>3PLC</td> </tr> <tr> <td>MACHINE SAW, DRILL</td> <td>.030</td> <td>.015</td> </tr> <tr> <td>SHEAR, PUNCH FORM</td> <td>.060</td> <td>.030</td> </tr> <tr> <td>TORCH, WELDING ROUGH CAST</td> <td>.090</td> <td>.060</td> </tr> <tr> <td>DRAFT 2'</td> <td>ANGULAR ±1'</td> <td></td> </tr> </table> | DECIMAL | 2PLC | 3PLC | MACHINE SAW, DRILL | .030 | .015 | SHEAR, PUNCH FORM | .060 | .030 | TORCH, WELDING ROUGH CAST | .090 | .060 | DRAFT 2' | ANGULAR ±1' | | <table border="1"> <tr> <td>DRAWN BY.</td> <td>DJR</td> </tr> <tr> <td>DRAWN/DATE</td> <td>7/10/03</td> </tr> <tr> <td>APPVD/DATE</td> <td>5/5/08</td> </tr> <tr> <td>SALES CATEGORY</td> <td>45</td> </tr> </table> | DRAWN BY. | DJR | DRAWN/DATE | 7/10/03 | APPVD/DATE | 5/5/08 | SALES CATEGORY | 45 | <table border="1"> <tr> <td>TITLE</td> <td>25-TOOTH REPAIR SPROCKET</td> </tr> <tr> <td>PRODUCT LINE</td> <td>8950</td> </tr> <tr> <td>SCALE</td> <td>1:2</td> </tr> <tr> <td>FIN. WT.</td> <td></td> </tr> <tr> <td>PART NO.</td> <td>4189</td> </tr> </table> | TITLE | 25-TOOTH REPAIR SPROCKET | PRODUCT LINE | 8950 | SCALE | 1:2 | FIN. WT. | | PART NO. | 4189 | <p>THE INFORMATION HERE IS CONFIDENTIAL AND MUST NOT BE USED IN ANYWAY DETRIMENTAL TO THE INTEREST OF WOODBINE MFG.</p> |
| DECIMAL | 2PLC | 3PLC | | | | | | | | | | | | | | | | | | | | | | | | | | | | | | | | | | | | | | | | |
| MACHINE SAW, DRILL | .030 | .015 | | | | | | | | | | | | | | | | | | | | | | | | | | | | | | | | | | | | | | | | |
| SHEAR, PUNCH FORM | .060 | .030 | | | | | | | | | | | | | | | | | | | | | | | | | | | | | | | | | | | | | | | | |
| TORCH, WELDING ROUGH CAST | .090 | .060 | | | | | | | | | | | | | | | | | | | | | | | | | | | | | | | | | | | | | | | | |
| DRAFT 2' | ANGULAR ±1' | | | | | | | | | | | | | | | | | | | | | | | | | | | | | | | | | | | | | | | | | |
| DRAWN BY. | DJR | | | | | | | | | | | | | | | | | | | | | | | | | | | | | | | | | | | | | | | | | |
| DRAWN/DATE | 7/10/03 | | | | | | | | | | | | | | | | | | | | | | | | | | | | | | | | | | | | | | | | | |
| APPVD/DATE | 5/5/08 | | | | | | | | | | | | | | | | | | | | | | | | | | | | | | | | | | | | | | | | | |
| SALES CATEGORY | 45 | | | | | | | | | | | | | | | | | | | | | | | | | | | | | | | | | | | | | | | | | |
| TITLE | 25-TOOTH REPAIR SPROCKET | | | | | | | | | | | | | | | | | | | | | | | | | | | | | | | | | | | | | | | | | |
| PRODUCT LINE | 8950 | | | | | | | | | | | | | | | | | | | | | | | | | | | | | | | | | | | | | | | | | |
| SCALE | 1:2 | | | | | | | | | | | | | | | | | | | | | | | | | | | | | | | | | | | | | | | | | |
| FIN. WT. | | | | | | | | | | | | | | | | | | | | | | | | | | | | | | | | | | | | | | | | | | |
| PART NO. | 4189 | | | | | | | | | | | | | | | | | | | | | | | | | | | | | | | | | | | | | | | | | |
| C | 5/5/08 | ADDED 9967 | JCB | KGJ | | | | | | | | | | | | | | | | | | | | | | | | | | | | | | | | | | | | | | |