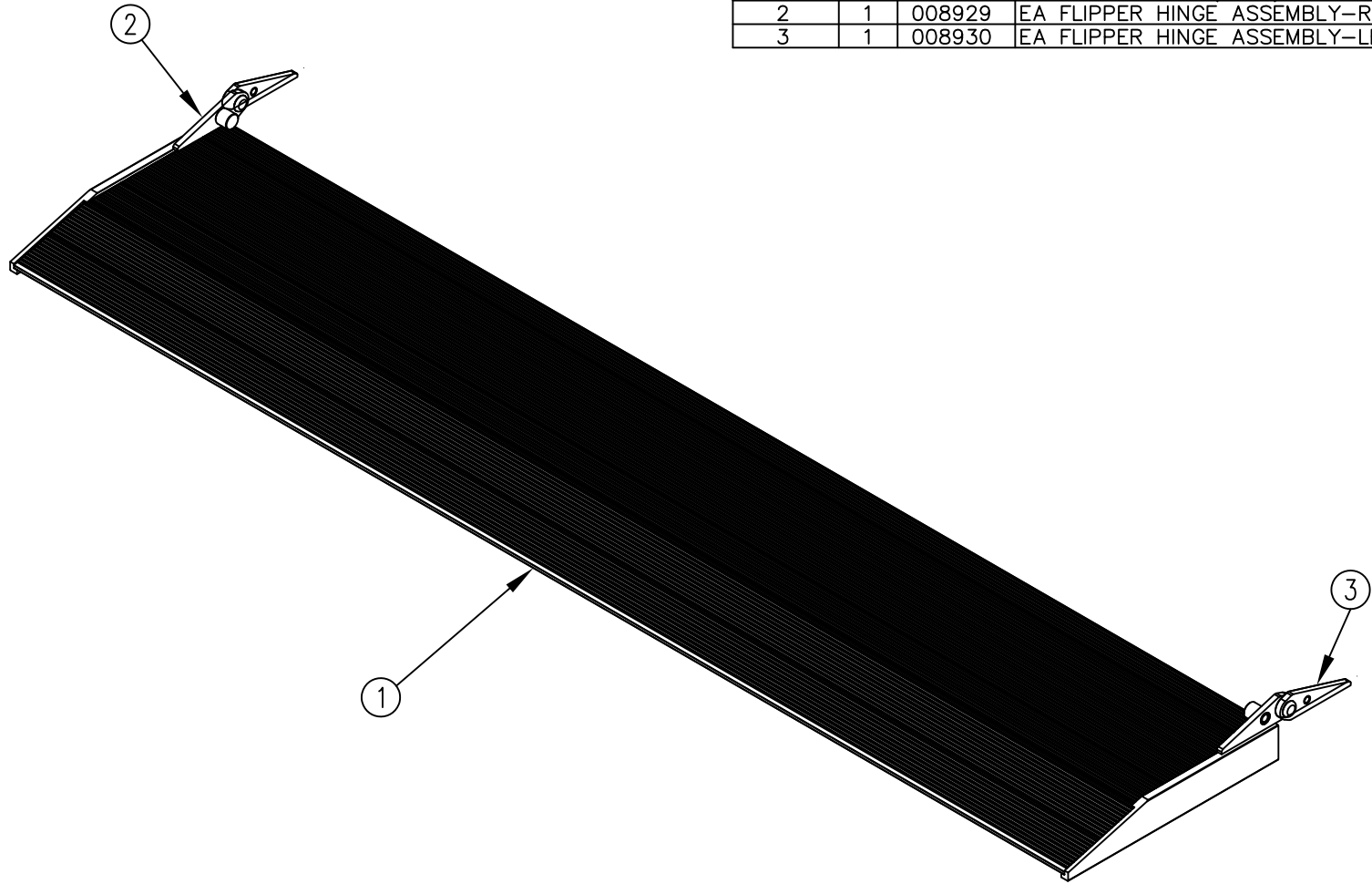



ITEM NO.	QTY.	PART NO.	DESCRIPTION
1	1	003297	EA FLIPPER ONLY(73LP)17"
2	1	008929	EA FLIPPER HINGE ASSEMBLY--RIGHT
3	1	008930	EA FLIPPER HINGE ASSEMBLY--LEFT



				THIRD ANGLE PROJECTION		DRAWN BY AAS		NOTES:		WOODBINE MFG. CO. BUS BROWN DRIVE WOODBINE, IOWA 51579	
				UNLESS OTHERWISE SPECIFIED		DRAWN/DATE 10/24/24					
				DIMENSIONS ARE IN INCHES		APPVD/DATE -		TITLE REPLACEMENT 73 LOW PRO EA FLIPPER			
				TOLERANCES:		DO NOT SCALE DRAWING					
				FRACTIONAL ±1/16							
				ANGULAR MACH ±1°							
				BEND ±1°							
				TWO PLACE DECIMAL ±0.030							
				THREE PLACE DECIMAL ±0.010							
				THE INFORMATION HERE IS CONFIDENTIAL AND MUST NOT BE USED IN ANY WAY DETRIMENTAL TO THE INTEREST OF WOODBINE MFG.		SCALE 1:10		WEIGHT -		PART NO. 18423	
REV.	DATE	CHANGE RECORD	BY	APPVD	ECN						
A	10/24/24	RELEASED TO PRODUCTION	AAS		3068						