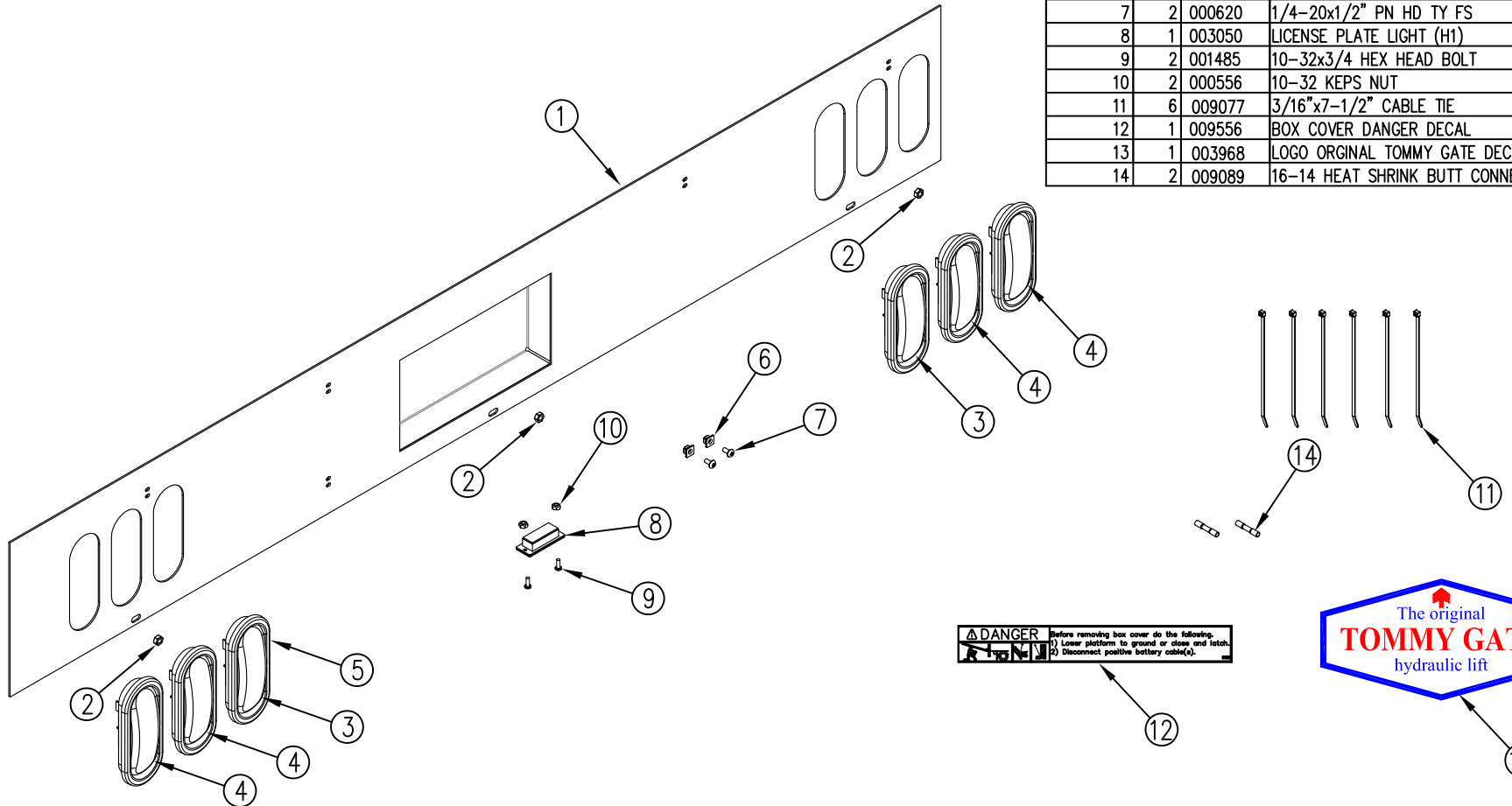


ITEM NO.	QTY.	PART NO.	DESCRIPTION
1	1	014406	BOX COVER WELDMENT (25/30) 95 (BF)
2	3	000631	5/16-18 SERRATED FLANGENUT (WHIZLOCK)
3	2	004042	RECESSED OVAL CLEAR LIGHT ONLY-ECONO 60 (12VDC)
4	4	004043	RECESSED OVAL RED LIGHT ONLY-ECONO 60 (12VDC)
5	6	004041	BLACK GROMMET - ECONO 60
6	2	000628	LICENSE PLATE NUT
7	2	000620	1/4-20x1/2" PN HD TY FS
8	1	003050	LICENSE PLATE LIGHT (H1)
9	2	001485	10-32x3/4 HEX HEAD BOLT
10	2	000556	10-32 KEPS NUT
11	6	009077	3/16"x7-1/2" CABLE TIE
12	1	009556	BOX COVER DANGER DECAL
13	1	003968	LOGO ORIGINAL TOMMY GATE DECAL
14	2	009089	16-14 HEAT SHRINK BUTT CONNECTOR



⚠ DANGER Before removing box cover do the following:
 1) Lower platform to ground or close and latch.
 2) Disconnect positive battery cable(s).



					THIRD ANGLE PROJECTION					WOODBINE MFG. CO. BUS BROWN DRIVE WOODBINE, IOWA 51579		
								SYMBOLY PER ANSI Y14.5		NOTES:		
					DECIMAL 2PLC 3PLC MACHINE SAW, DRILL .030 .015			DRAWN BY: MTC				
					SHEAR, PUNCH FORM .060 .030			DRAWN/DATE 9/27/16				
					TORCH, WELDING ROUGH CAST .090 .060			TITLE		REPLACEMENT STEEL BOX COVER W/LIGHTS (25/30) 95 (BF)		
B	5/10/23	ADDED (2) 009089			AAS	2866			THE INFORMATION HERE IS CONFIDENTIAL AND MUST NOT BE USED IN ANYWAY DETRIMENTAL TO THE INTEREST OF WOODBINE MFG.			
A	9/27/16	RELEASED TO PRODUCTION			MTC	1593						
REV.	DATE	CHANGE RECORD			BY	APPVD	ECN	DRAFT 2'	ANGULAR ±1'	SCALE NTS	FIN. WT.	PART NO. 14857