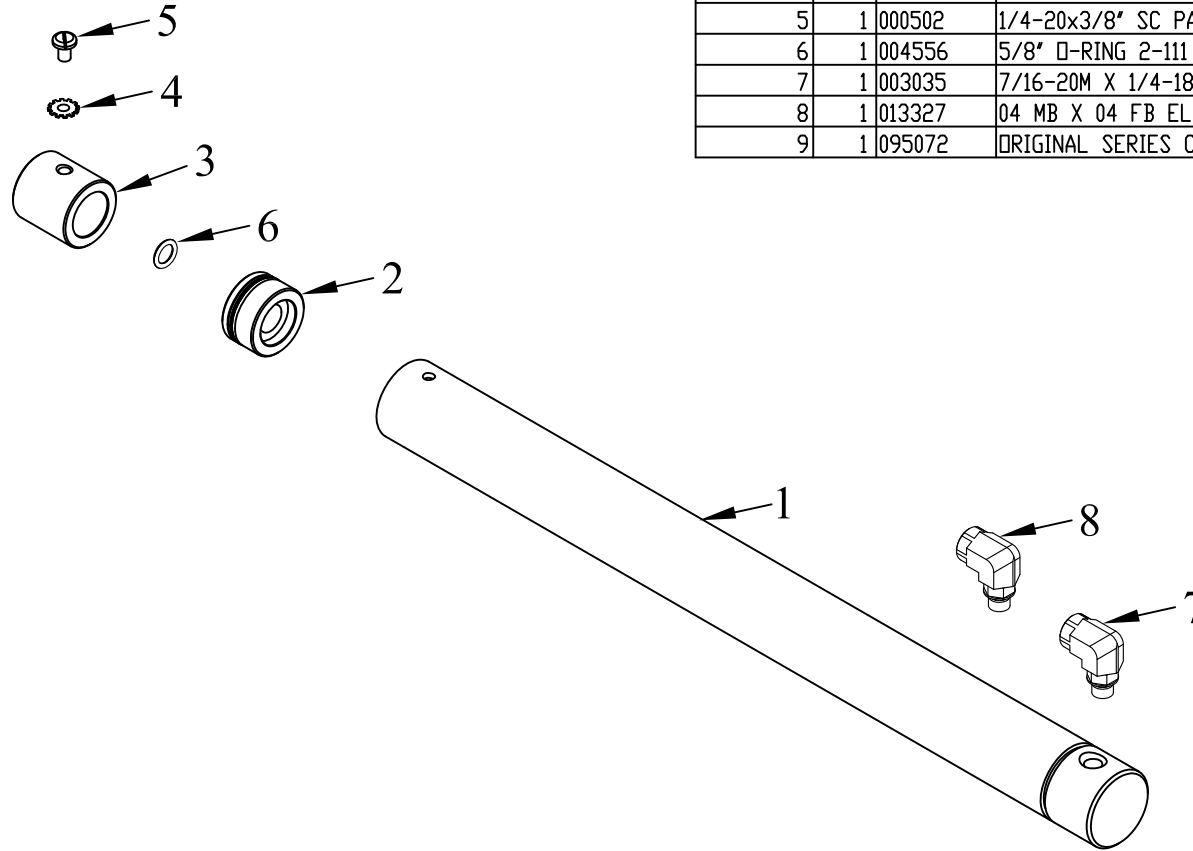
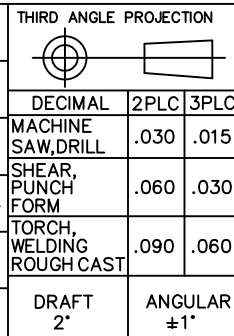


ITEM NO.	QTY.	PART NO.	DESCRIPTION
1	1	003260	1.5" DIA X 19" CYL TUBE w/WELD-ON(1034&1036)
2	1	007447	1-1/2" CYL. PIST w/O-RINGS(1034-1040)
3	1	007450	1"x1.50"x1.50"ALUM GUIDE BUSHING#1
4	1	000570	1/4" EXTERNAL STAR WASHER
5	1	000502	1/4-20x3/8" SC PANHD MS
6	1	004556	5/8" O-RING 2-111
7	1	003035	7/16-20M X 1/4-18F 90 DEG STEEL ELBOW
8	1	013327	04 MB X 04 FB ELBOW(SAE6815-04-04)
9	1	095072	ORIGINAL SERIES CYLINDER SEAL REPLACEMENT INSTR.



REV.	DATE	CHANGE RECORD	BY	APPVD	ECN	DRAFT	ANGULAR	SALES CATEGORY	PRODUCT LINE	SCALE	FIN. WT.	PART NO.
						2"	±1"			N		3250
C	11/13/13	ADDED (1) 013327	GDB		1004							
B	1/12/11	ADDED (1) 3035, (1) 4556, AND (1) 95072; REPLACED 1139 WITH INDIVIDUAL PARTS	JCB		400							



THIRD ANGLE PROJECTION	FILENAME:
SYMBOLY PER ANSI Y14.5	NOTES:
DRAWN BY. DJR	
DRAWN/DATE 12/16/03	
APPVD/DATE	
TITLE	
REPLACEMENT CYLINDER BARREL ASSEMBLY(1034-1036)	

WOODBINE MFG. CO.
BUS BROWN DRIVE
WOODBINE, IOWA 51579

712-647-2050

THE INFORMATION HERE IS CONFIDENTIAL AND MUST NOT BE USED IN ANYWAY DETRIMENTAL TO THE INTEREST OF WOODBINE MFG.