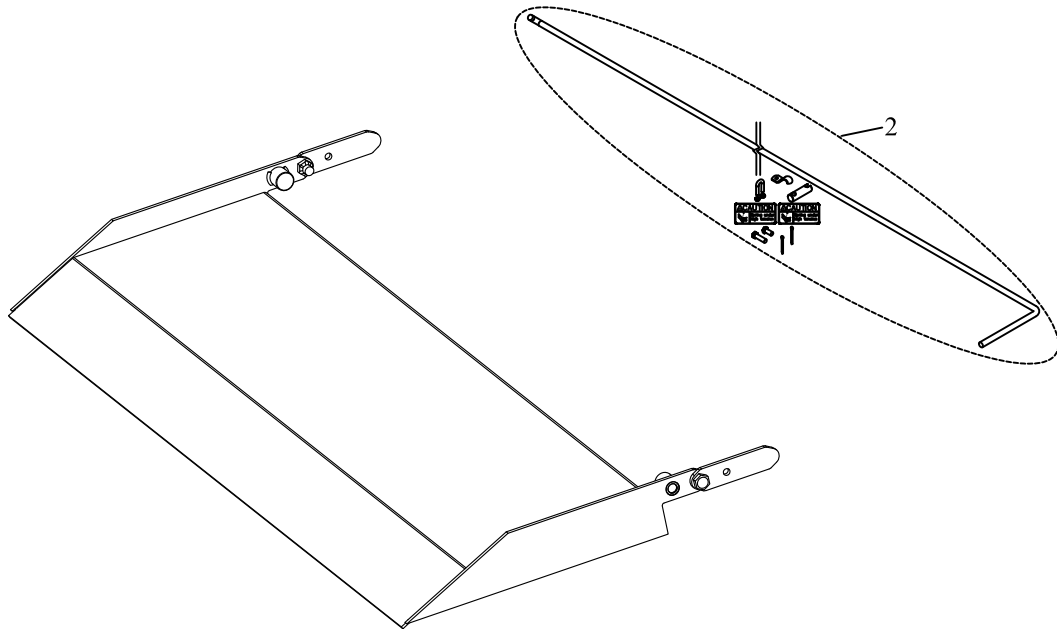
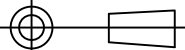


ITEM NO.	QTY.	PART NO.	DESCRIPTION
1	1	1576	G2 60-F11 w/4" TAPER TP FLIPPER
2	1	3690*	TORSION SPRING w/HARDWARE(TOYOTA T-100&60)



NOTE: "*" INDICATES INDIVIDUAL PARTS ARE LISTED IN ACCOUNTING.

				THIRD ANGLE PROJECTION			FILENAME:				WOODBINE MFG. CO. BUS BROWN DRIVE WOODBINE, IOWA 51579																											
							SYMBOLY PER ANSI Y14.5								NOTES:																							
				<table border="1"> <tr> <th>DECIMAL</th> <th>2PLC</th> <th>3PLC</th> </tr> <tr> <td>MACHINE SAW, DRILL</td> <td>.030</td> <td>.015</td> </tr> <tr> <td>SHEAR, PUNCH FORM</td> <td>.060</td> <td>.030</td> </tr> <tr> <td>TORCH, WELDING ROUGH CAST</td> <td>.090</td> <td>.060</td> </tr> </table>			DECIMAL	2PLC	3PLC	MACHINE SAW, DRILL	.030	.015	SHEAR, PUNCH FORM	.060					.030	TORCH, WELDING ROUGH CAST	.090	.060	DRAWN BY. DJR				<table border="1"> <tr> <td colspan="2">DRAWN/DATE</td> <td colspan="2">6/23/04</td> </tr> <tr> <td colspan="2">APPVD/DATE</td> <td colspan="2">TITLE</td> </tr> <tr> <td colspan="2"></td> <td colspan="2">60 F-11 TREADPLATE FLIPPER BOXED</td> </tr> </table>				DRAWN/DATE		6/23/04		APPVD/DATE		TITLE	
DECIMAL	2PLC	3PLC																																				
MACHINE SAW, DRILL	.030	.015																																				
SHEAR, PUNCH FORM	.060	.030																																				
TORCH, WELDING ROUGH CAST	.090	.060																																				
DRAWN/DATE		6/23/04																																				
APPVD/DATE		TITLE																																				
		60 F-11 TREADPLATE FLIPPER BOXED																																				
B	2/22/16	1576 WAS 3529	AAS	1461	APPVD/DATE				<table border="1"> <tr> <td>SALES CATEGORY</td> <td>PRODUCT LINE</td> <td>SCALE</td> <td>FIN. WT.</td> <td>PART NO.</td> </tr> <tr> <td></td> <td></td> <td>1:10</td> <td></td> <td>1680</td> </tr> </table>				SALES CATEGORY	PRODUCT LINE	SCALE	FIN. WT.	PART NO.			1:10		1680																
SALES CATEGORY	PRODUCT LINE	SCALE	FIN. WT.	PART NO.																																		
		1:10		1680																																		
REV.	DATE	CHANGE RECORD	BY	APPVD	ECN	DRAFT 2"		ANGULAR ±1°																														



THE INFORMATION HERE IS CONFIDENTIAL AND MUST NOT BE USED IN ANYWAY DETRIMENTAL TO THE INTEREST OF WOODBINE MFG.