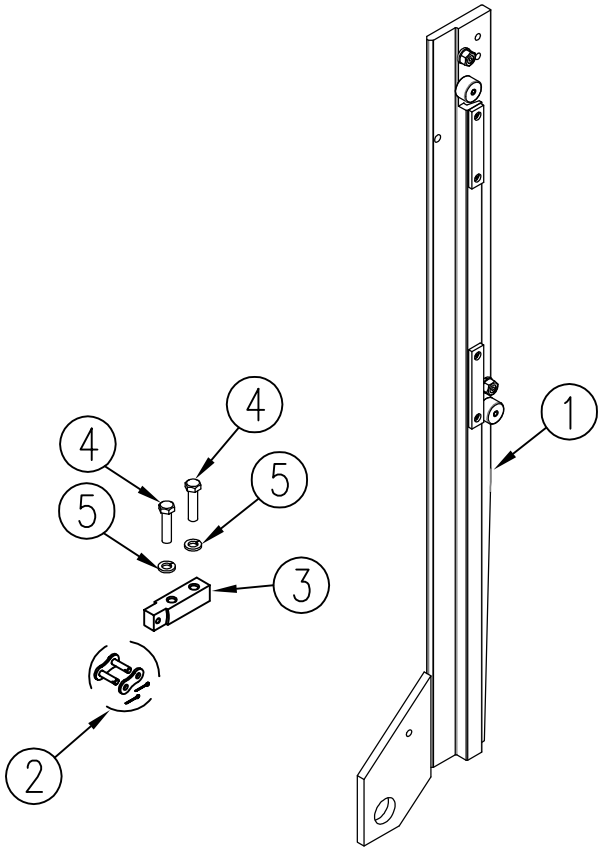


ITEM NO.	QTY.	PART NO.	DESCRIPTION
1	1	011878	47" COMPLETE RAIL SLIDER L (AB)TX
2	1	007661	50 SERIES CONNECTING LINK
3	1	007656	3/4"SQ.x3.03" CHAIN HOLDER
4	2	000535	3/8-16x1-1/2" HHCS GR5
5	2	000572	3/8" SPRING LOCK WASHER



REV.	DATE	CHANGE RECORD	BY	APPVD	ECN	DRAFT	ANGULAR	SALES CATEGORY	PRODUCT LINE	SCALE	FIN. WT.	PART NO.																						
A	2/19/14	RELEASED TO PRODUCTION	GDB		1044	2"	±1"			N		013109																						
						THIRD ANGLE PROJECTION	<table border="1"> <tr> <td>DECIMAL</td> <td>2PLC</td> <td>3PLC</td> </tr> <tr> <td>MACHINE SAW, DRILL</td> <td>.030</td> <td>.015</td> </tr> <tr> <td>SHEAR, PUNCH FORM</td> <td>.060</td> <td>.030</td> </tr> <tr> <td>TORCH, WELDING ROUGH CAST</td> <td>.090</td> <td>.060</td> </tr> </table>		DECIMAL	2PLC	3PLC	MACHINE SAW, DRILL	.030	.015	SHEAR, PUNCH FORM	.060	.030	TORCH, WELDING ROUGH CAST	.090	.060	<table border="1"> <tr> <td>FILENAME:</td> <td rowspan="4">NOTES:</td> </tr> <tr> <td>SYMBOLY PER ANSI Y14.5</td> </tr> <tr> <td>DRAWN BY. GDB</td> </tr> <tr> <td>DRAWN/DATE 2/19/14</td> </tr> <tr> <td>APPVD/DATE</td> <td>TITLE</td> </tr> <tr> <td colspan="2"></td> <td>47" REPLACEMENT SLIDER w/ROLLERS-LEFT(TX)</td> </tr> </table>		FILENAME:	NOTES:	SYMBOLY PER ANSI Y14.5	DRAWN BY. GDB	DRAWN/DATE 2/19/14	APPVD/DATE	TITLE			47" REPLACEMENT SLIDER w/ROLLERS-LEFT(TX)	<p>WOODBINE MFG. CO. BUS BROWN DRIVE WOODBINE, IOWA 51579</p> <p>712-647-2050</p> <p>THE INFORMATION HERE IS CONFIDENTIAL AND MUST NOT BE USED IN ANYWAY DETRIMENTAL TO THE INTEREST OF WOODBINE MFG.</p>	
DECIMAL	2PLC	3PLC																																
MACHINE SAW, DRILL	.030	.015																																
SHEAR, PUNCH FORM	.060	.030																																
TORCH, WELDING ROUGH CAST	.090	.060																																
FILENAME:	NOTES:																																	
SYMBOLY PER ANSI Y14.5																																		
DRAWN BY. GDB																																		
DRAWN/DATE 2/19/14																																		
APPVD/DATE	TITLE																																	
		47" REPLACEMENT SLIDER w/ROLLERS-LEFT(TX)																																