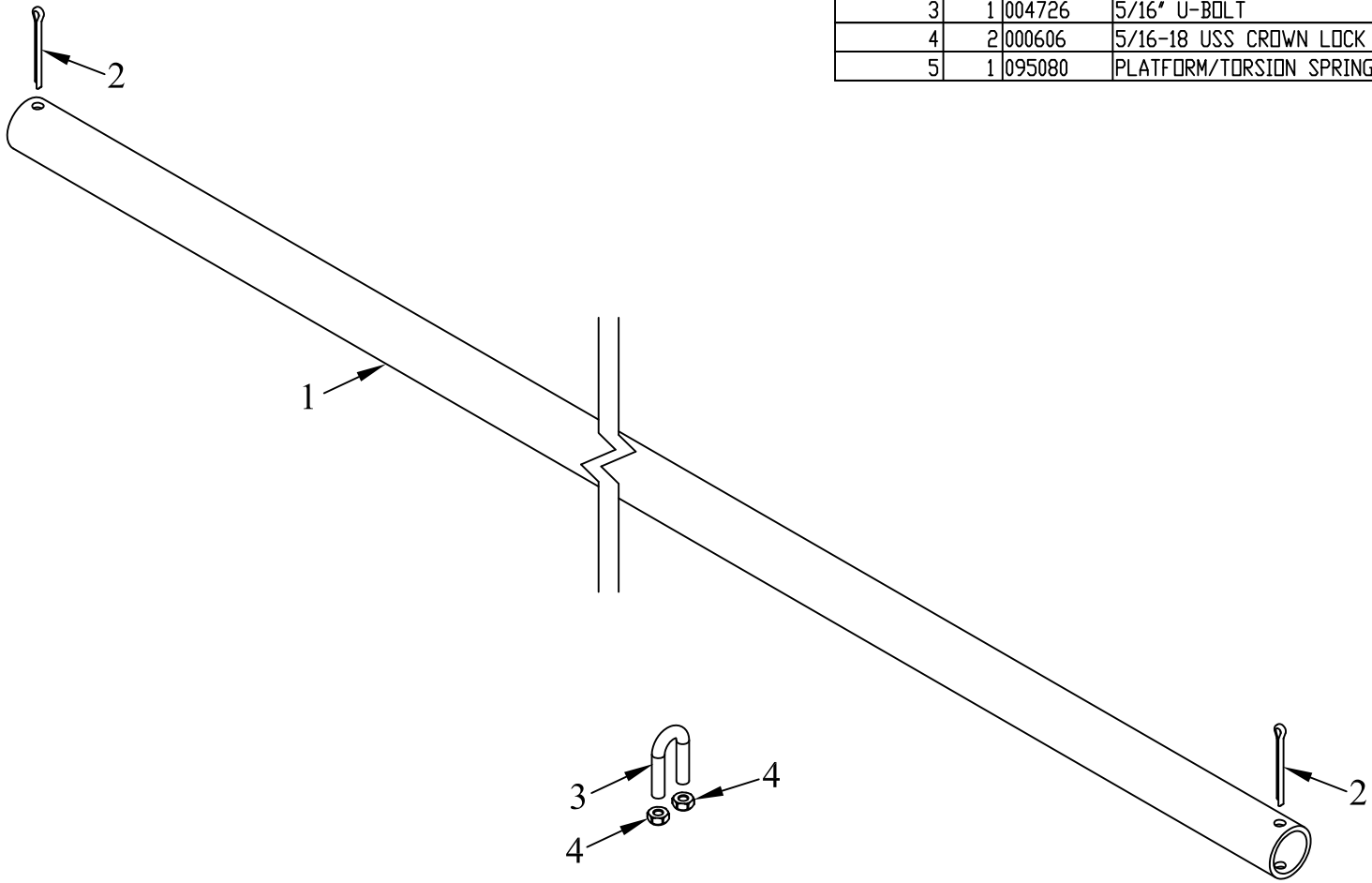


ITEM NO.	QTY.	PART NO.	DESCRIPTION
1	1	010333	1.25" OD PUNCHED INNER HINGETUBE (72)
2	2	004720	1/4"x2" COTTER PIN
3	1	004726	5/16" U-BOLT
4	2	000606	5/16-18 USS CROWN LOCK NUT
5	1	095080	PLATFORM/TORSION SPRING (W/ HINGE TUBE) INSTR.



					THIRD ANGLE PROJECTION			FILENAME:		WOODBINE MFG. CO. BUS BROWN DRIVE WOODBINE, IOWA 51579													
								SYMBOLY PER ANSI Y14.5		NOTES:													
					<table border="1"> <thead> <tr> <th>DECIMAL</th> <th>2PLC</th> <th>3PLC</th> </tr> </thead> <tbody> <tr> <td>MACHINE SAW, DRILL</td> <td>.030</td> <td>.015</td> </tr> <tr> <td>SHEAR, PUNCH FORM</td> <td>.060</td> <td>.030</td> </tr> <tr> <td>TORCH, WELDING ROUGH CAST</td> <td>.090</td> <td>.060</td> </tr> </tbody> </table>			DECIMAL	2PLC	3PLC	MACHINE SAW, DRILL	.030	.015	SHEAR, PUNCH FORM	.060	.030	TORCH, WELDING ROUGH CAST	.090	.060	DRAWN BY. DJR			
DECIMAL	2PLC	3PLC																					
MACHINE SAW, DRILL	.030	.015																					
SHEAR, PUNCH FORM	.060	.030																					
TORCH, WELDING ROUGH CAST	.090	.060																					
								DRAWN/DATE 5/21/04		712-647-2050													
								APPVD/DATE															
B 6/25/13 CHANGED 6404 TO 10333; ADDED 95080					JCB 918			TITLE		72 REPLACEMENT HINGE TUBE- STEEL PLATFORM													
REV. DATE CHANGE RECORD					BY APPVD ECN			SALES CATEGORY		PART NO. 6429													
					DRAFT 2"			ANGULAR ±1°		SCALE 1:4													
										FIN. WT.													

THE INFORMATION HERE IS CONFIDENTIAL AND MUST NOT BE USED IN ANYWAY DETRIMENTAL TO THE INTEREST OF WOODBINE MFG.