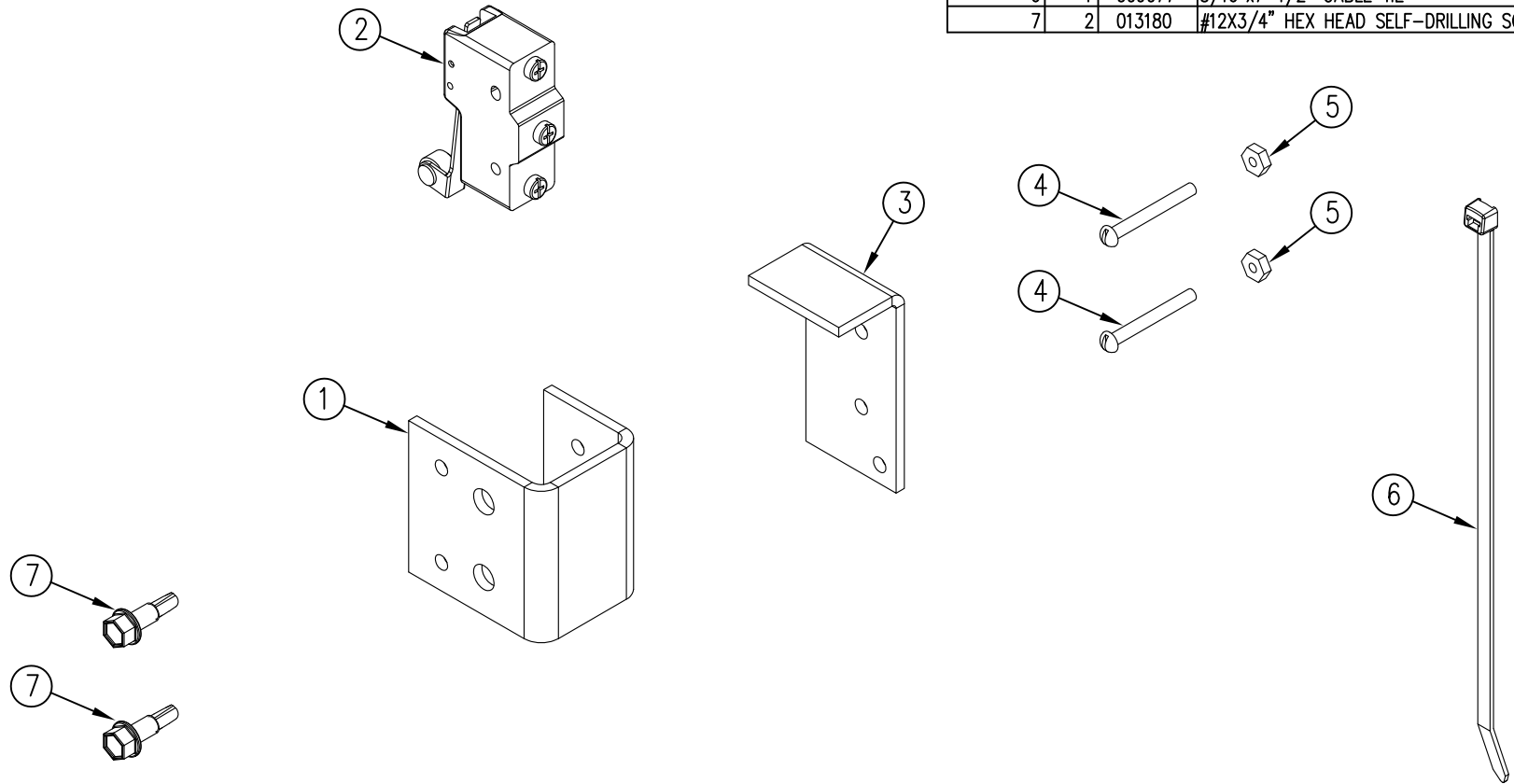


ITEM NO.	QTY.	PART NO.	DESCRIPTION
1	1	010584	LIMIT SWITCH BRACKET
2	1	007676	SAFETY SWITCH
3	1	010853	LIMIT SWITCH SHIELD
4	2	003089	6-32x1-1/4" SLOTTED RD HD MACHINE SCREW, ZP
5	2	009863	6-32 HEX NUT
6	1	009077	3/16"x7-1/2" CABLE TIE
7	2	013180	#12X3/4" HEX HEAD SELF-DRILLING SCREW



REV.	DATE	CHANGE RECORD	BY	APPVD	ECN	THIRD ANGLE PROJECTION	FILENAME:	SYMBOLY PER ANSI Y14.5	NOTES:	WOODBINE MFG. CO. BUS BROWN DRIVE WOODBINE, IOWA 51579 712-647-2050		
C	5/3/13	REPLACED (2) 601 AND (2) 602 WITH (2) 13180	JCB		883							
B	8/27/12	ADDED (1) 9077	JCB		720	DECIMAL MACHINE SAW, DRILL SHEAR, PUNCH FORM TORCH, WELDING ROUGH CAST	2PLC .030 .060 .090	3PLC .015 .030 .060				
A	7/29/11	RELEASED TO PRODUCTION	JCB		450							
						DRAFT 2'	ANGULAR ±1'	SALES CATEGORY	PRODUCT LINE	SCALE 1:2	FIN. WT.	PART NO. 11271

THE INFORMATION HERE IS CONFIDENTIAL AND MUST NOT BE USED IN ANYWAY DETRIMENTAL TO THE INTEREST OF WOODBINE MFG.