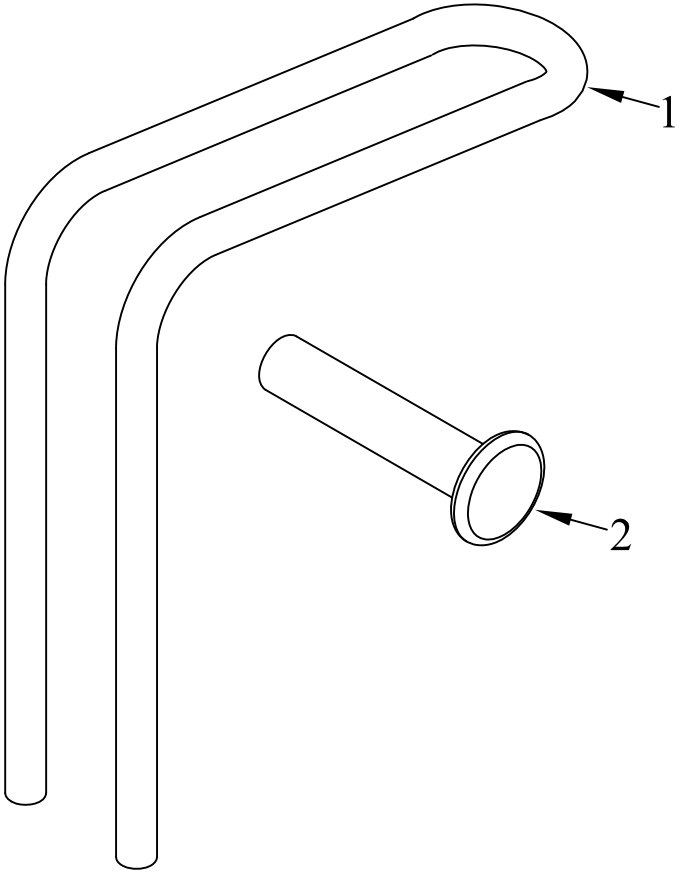


ITEM NO.	QTY.	PART NO.	DESCRIPTION
1	1	003820	KICKER SPRING
2	1	007544	5/16"X1-1/2" F.H. RIVET



REV.	DATE	CHANGE RECORD	BY	APPVD	ECN	DRAFT	ANGULAR	SALES CATEGORY	PRODUCT LINE	SCALE	FIN. WT.	PART NO.
						2'	±1'	45	8950	N		3818

THIRD ANGLE PROJECTION	FILENAME:	WOODBINE MFG. CO. BUS BROWN DRIVE WOODBINE, IOWA 51579
	SYMBOLY PER ANSI Y14.5	712-647-2050
DECIMAL	2PLC	3PLC
MACHINE SAW, DRILL	.030	.015
SHEAR, PUNCH FORM	.060	.030
TORCH, WELDING ROUGH CAST	.090	.060
DRAWN BY. DJR	DRAWN/DATE 12/22/03	THE INFORMATION HERE IS CONFIDENTIAL AND MUST NOT BE USED IN ANYWAY DETRIMENTAL TO THE INTEREST OF WOODBINE MFG.
APPVD/DATE	TITLE KICKAWAY SPRING W/PIN	