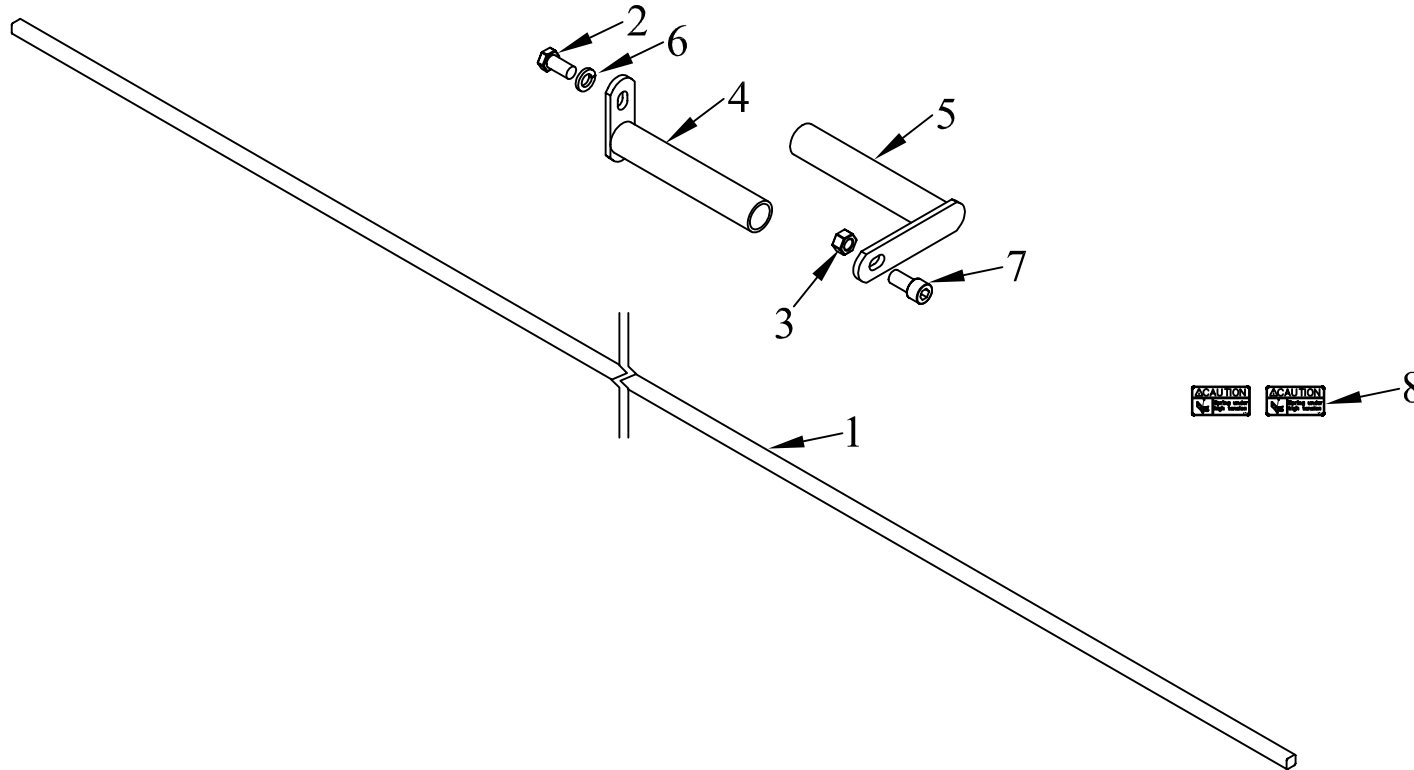


ITEM NO.	QTY.	PART NO.	DESCRIPTION
1	1	005814	1/2" TORSION SPRING(80)
2	1	000587	1/2-13x1" HHCS GR5
3	1	000588	1/2-13 CROWN LOCK NUT
4	1	007433	DRIVER'S SIDE SQ SPRING HOLDER
5	1	007435	PASS SIDE SQ SPRING HOLDER(80-92)
6	1	000573	1/2" SPRING LOCKWASHER
7	1	000604	1/2-13x1"USS SOC HD CAP STAINLESS
8	2	009540	WARNING DECAL - SPRING TENSION
9	1	095064	PLATFORM AND/OR TORSION SPRING (CABLE/G2)



REV.	DATE	CHANGE RECORD	BY	APPVD	ECN	DRAFT 2"	ANGULAR ±1"	SALES CATEGORY	PRODUCT LINE	SCALE N	FIN. WT. 9.02	PART NO. 8117
F	4/21/14	CHANGED PN7434 TO PN7435	MTC		1001	THIRD ANGLE PROJECTION DECIMAL MACHINE SAW, DRILL SHEAR, PUNCH FORM TORCH, WELDING ROUGH CAST DRAFT 2" ANGULAR ±1"		FILENAME:	WOODBINE MFG. CO. BUS BROWN DRIVE WOODBINE, IOWA 51579 712-647-2050 THE INFORMATION HERE IS CONFIDENTIAL AND MUST NOT BE USED IN ANYWAY DETRIMENTAL TO THE INTEREST OF WOODBINE MFG.			
E	3/29/11	ADDED 95064	JCB		427		SYMBOLY PER ANSI Y14.5	NOTES:				
D	11/15/10	ADDED (2) 9540	JCB		376		2PLC .030	3PLC .015				DRAWN BY: DJR
C	7/16/10	REPLACED 1090 WITH 5814	JCB		276		.060	.030				DRAWN/DATE 1/18/05
B	12/2/09	REPLACED 551 W/ 588; UPDATED DESCRIPTION	JCB		242		.090	.060				APPVD/DATE