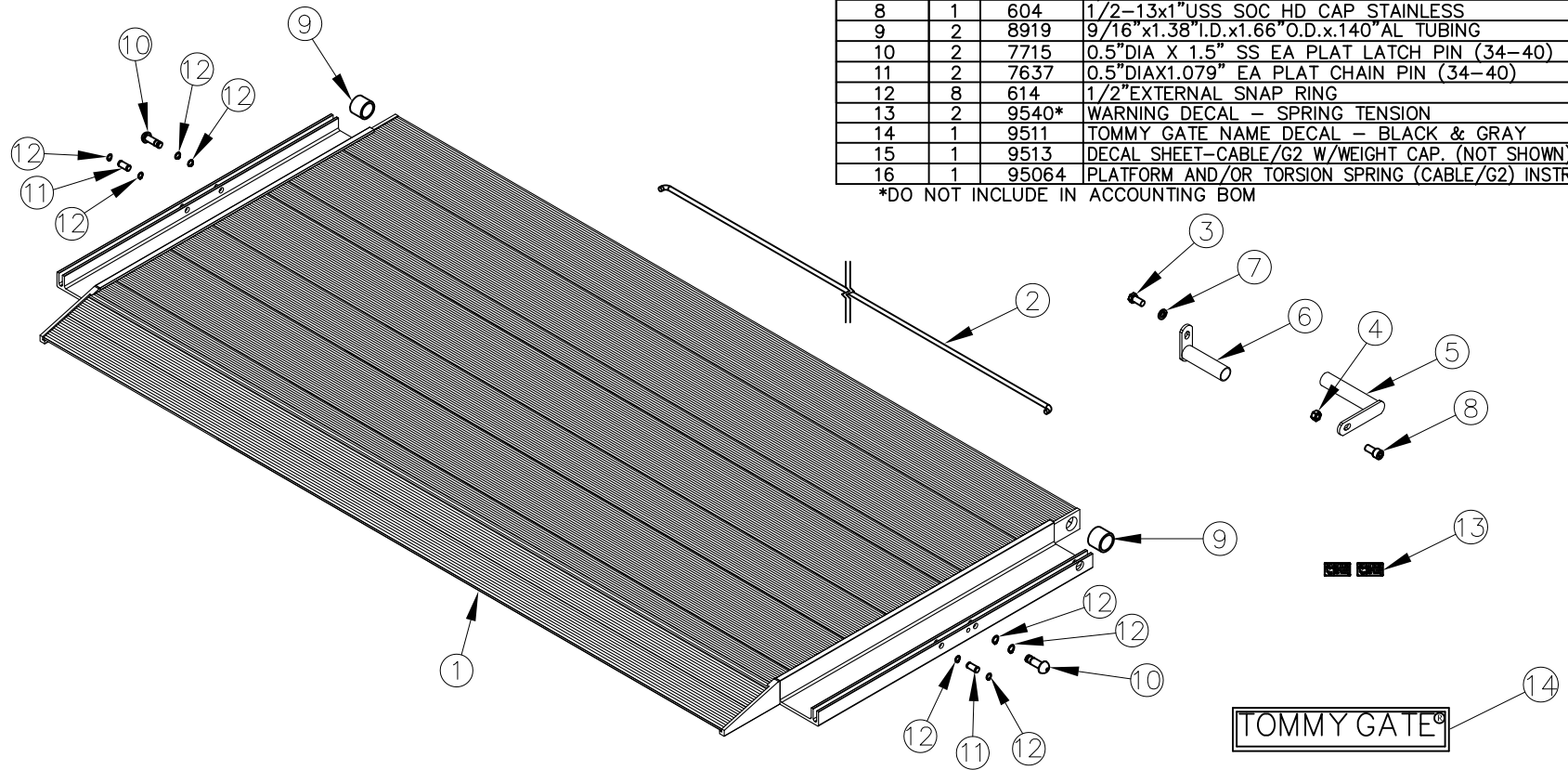



ITEM NO.	QTY.	PART NO.	DESCRIPTION
1	1	3139	EA PLATFORM COMPLETE (86-50) 42+6"
2	1	7873	0.375 X 84.563 SPRING (86 EA)
3	1	587	1/2-13x1" HHCS GR5
4	1	588	1/2-13 CROWN LOCK NUT
5	1	7710	HINGE TUBE SPRING HOLDER-46EA PASS
6	1	7778	HINGE TUBE SPRING HOLDER-EA DRIVER
7	1	573	1/2" SPRING LOCKWASHER
8	1	604	1/2-13x1"USS SOC HD CAP STAINLESS
9	2	8919	9/16"x1.38" I.D. x1.66" O.D. x1.40" AL TUBING
10	2	7715	0.5"DIA X 1.5" SS EA PLAT LATCH PIN (34-40)
11	2	7637	0.5"DIA X 1.079" EA PLAT CHAIN PIN (34-40)
12	8	614	1/2" EXTERNAL SNAP RING
13	2	9540*	WARNING DECAL - SPRING TENSION
14	1	9511	TOMMY GATE NAME DECAL - BLACK & GRAY
15	1	9513	DECAL SHEET-CABLE/G2 W/WEIGHT CAP. (NOT SHOWN)
16	1	95064	PLATFORM AND/OR TORSION SPRING (CABLE/G2) INSTR.

*DO NOT INCLUDE IN ACCOUNTING BOM



NOTES: APPLY DECALS FROM 9513 SHEET SAME AS PRODUCTION
SEND (2) 9540 LOOSE

REV.	DATE	CHANGE RECORD	BY	APPVD	ECN	DRAFT	ANGULAR	SALES CATEGORY	PRODUCT LINE	SCALE	FIN. WT.	PART NO.								
D	9/30/16	ADDED (1) 9511, (1) 9513, (1) 95064	AAS		1709	2'	±1'													
C	11/15/10	ADDED (2) 9540	JCB		367															
B	7/13/10	REPLACED KITS WITH INDIVIDUAL PARTS; REPLACED (1) 8920 W/ (1) 8919	JCB		276															
A	4/21/08	DRAWN IN AUTOCAD	JCB	KGJ																
						THIRD ANGLE PROJECTION		FILENAME:		WOODBINE MFG. CO. BUS BROWN DRIVE WOODBINE, IOWA 51579										
						DECIMAL		SYMBOLY PER ANSI Y14.5		NOTES:										
						MACHINE SAW, DRILL		DRAWN BY.												
						SHEAR, PUNCH FORM		JCB												
						TORCH, WELDING ROUGH CAST		DRAWN/DATE												
						DRAFT 2'		4/21/08		<small>THE INFORMATION HERE IS CONFIDENTIAL AND MUST NOT BE USED IN ANYWAY DETRIMENTAL TO THE INTEREST OF WOODBINE MFG.</small>										
						ANGULAR ±1'		APPVD/DATE												
								TITLE		86 EA REPLACEMENT PLATFORM 42+6"										
								SALES CATEGORY		<table border="1"> <tr> <td>PRODUCT LINE</td> <td>SCALE</td> <td>FIN. WT.</td> <td>PART NO.</td> </tr> <tr> <td></td> <td>1:15</td> <td></td> <td>2513</td> </tr> </table>			PRODUCT LINE	SCALE	FIN. WT.	PART NO.		1:15		2513
PRODUCT LINE	SCALE	FIN. WT.	PART NO.																	
	1:15		2513																	