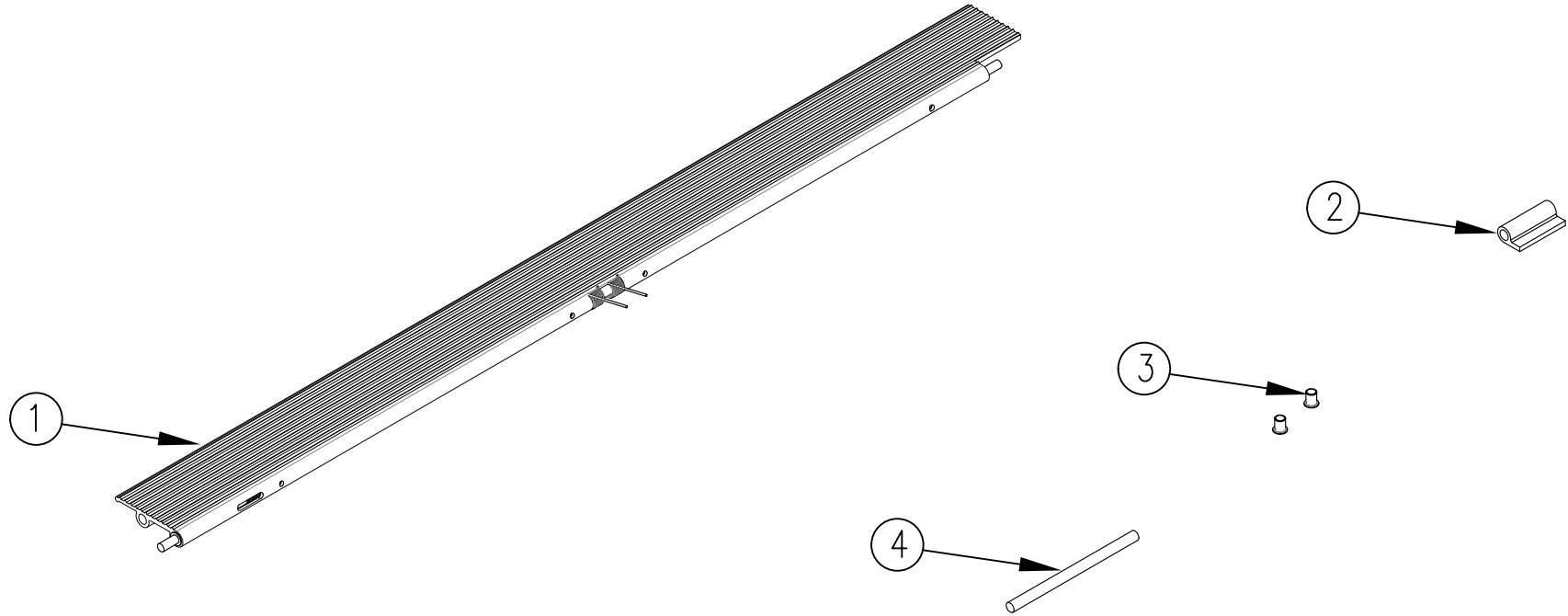


ITEM NO.	QTY.	PART NO.	DESCRIPTION
1	1	014456	CART STOP FLIPPER ASSEMBLY (79) LEFT
2	1	013418	CART STOP HALF BUSHING
3	2	014465	3/8" x 5/16" x 1/2" PLASTIC FLANGE BUSHING
4	1	013532	.38"DIA.x6"STAINLESS STEEL ROD
5	1	095179	REMOVABLE CART STOP (IN TAPER) REPL. INSTR.



REV.		DATE	CHANGE RECORD	BY	APPVD	ECN	THIRD ANGLE PROJECTION		FILENAME:	SYMBOLY PER ANSI Y14.5		NOTES:	WOODBINE MFG. CO. BUS BROWN DRIVE WOODBINE, IOWA 51579 712-647-2050			
							DECIMAL	2PLC	3PLC	DRAWN BY: JCB			The original TOMMY GATE hydraulic lift			
C	1/13/16		ADDED 13532	GDB		1562	MACHINE SAW, DRILL	.030	.015	DRAWN/DATE 12/9/13		THE INFORMATION HERE IS CONFIDENTIAL AND MUST NOT BE USED IN ANYWAY DETRIMENTAL TO THE INTEREST OF WOODBINE MFG.				
B	8/7/15		REMOVED 12777, 11224, 10646, 10373, AND 95124; ADDED 14456, 14465, AND 95179	GDB		1331	SHEAR, PUNCH FORM	.060	.030	APPVD/DATE			REPLACEMENT LEFT CART STOP (IN TAPER) 79			
A	12/9/13		RELEASED TO PRODUCTION	JCB		1019	TORCH, WELDING ROUGH CAST	.090	.060	SALES CATEGORY			PRODUCT LINE	SCALE	FIN. WT.	PART NO.
							DRAFT	2"	ANGULAR	±1"			1:6		13569	