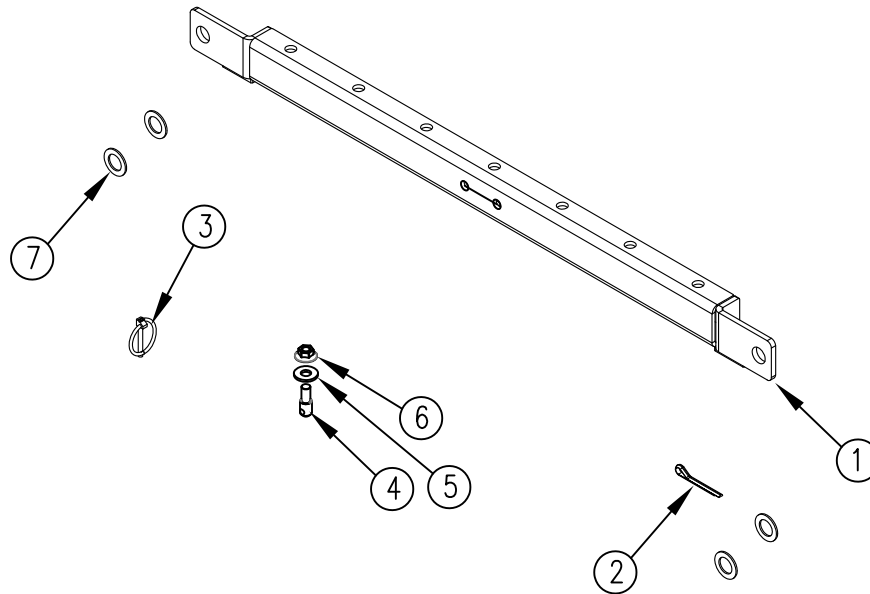



ITEM NO.	QTY.	PART NO.	DESCRIPTION
1	1	014475	FORMED GBR ARM WELDMENT
2	1	014215	3/16"x1-1/2" COTTER PIN
3	1	004747	GAS BOTTLE RACK HANG-2 LYNCH PIN
4	1	004714	1/2"DIA. PLATFORM LATCH PIN-G2
5	1	000575	3/8" USS FLAT WASHER
6	1	000553	3/8-16 LARGE FLNG LOCK NUT
7	4	000622	3/4"IDx1-1/4"ODD FLAT WASHER (650)*ZP*



REV.	DATE	CHANGE RECORD	BY	APPVD	ECN	THIRD ANGLE PROJECTION	FILENAME:	SYMBOLY PER ANSI Y14.5	NOTES:	WOODBINE MFG. CO. BUS BROWN DRIVE WOODBINE, IOWA 51579																															
B	6/1/23	ADDED (4) 622, (1) 4714, 575 AND 553	AAS		2876	<table border="1"> <tr> <td>DECIMAL</td> <td>2PLC</td> <td>3PLC</td> </tr> <tr> <td>MACHINE SAW, DRILL</td> <td>.030</td> <td>.015</td> </tr> <tr> <td>SHEAR, PUNCH FORM</td> <td>.060</td> <td>.030</td> </tr> <tr> <td>TORCH, WELDING ROUGH CAST</td> <td>.090</td> <td>.060</td> </tr> <tr> <td>DRAFT 2°</td> <td>ANGULAR ±1°</td> <td></td> </tr> </table>	DECIMAL	2PLC	3PLC	MACHINE SAW, DRILL	.030	.015	SHEAR, PUNCH FORM	.060	.030	TORCH, WELDING ROUGH CAST	.090	.060	DRAFT 2°	ANGULAR ±1°		<table border="1"> <tr> <td>DRAWN BY.</td> <td>AAS</td> </tr> <tr> <td>DRAWN/DATE</td> <td>3/29/16</td> </tr> <tr> <td>APPVD/DATE</td> <td></td> </tr> <tr> <td>TITLE</td> <td>REPLACEMENT GBR HORIZONTAL ARM HC (30" PLATFORM)</td> </tr> <tr> <td>SALES CATEGORY</td> <td></td> </tr> <tr> <td>PRODUCT LINE</td> <td></td> </tr> <tr> <td>SCALE</td> <td>1:8</td> </tr> <tr> <td>FIN. WT.</td> <td></td> </tr> <tr> <td>PART NO.</td> <td>14715</td> </tr> </table>	DRAWN BY.	AAS	DRAWN/DATE	3/29/16	APPVD/DATE		TITLE	REPLACEMENT GBR HORIZONTAL ARM HC (30" PLATFORM)	SALES CATEGORY		PRODUCT LINE		SCALE	1:8	FIN. WT.		PART NO.	14715	<p>THE INFORMATION HERE IS CONFIDENTIAL AND MUST NOT BE USED IN ANYWAY DETRIMENTAL TO THE INTEREST OF WOODBINE MFG.</p> 
DECIMAL	2PLC	3PLC																																							
MACHINE SAW, DRILL	.030	.015																																							
SHEAR, PUNCH FORM	.060	.030																																							
TORCH, WELDING ROUGH CAST	.090	.060																																							
DRAFT 2°	ANGULAR ±1°																																								
DRAWN BY.	AAS																																								
DRAWN/DATE	3/29/16																																								
APPVD/DATE																																									
TITLE	REPLACEMENT GBR HORIZONTAL ARM HC (30" PLATFORM)																																								
SALES CATEGORY																																									
PRODUCT LINE																																									
SCALE	1:8																																								
FIN. WT.																																									
PART NO.	14715																																								
A	3/29/16	RELEASED TO PRODUCTION	AAS		1606																																				