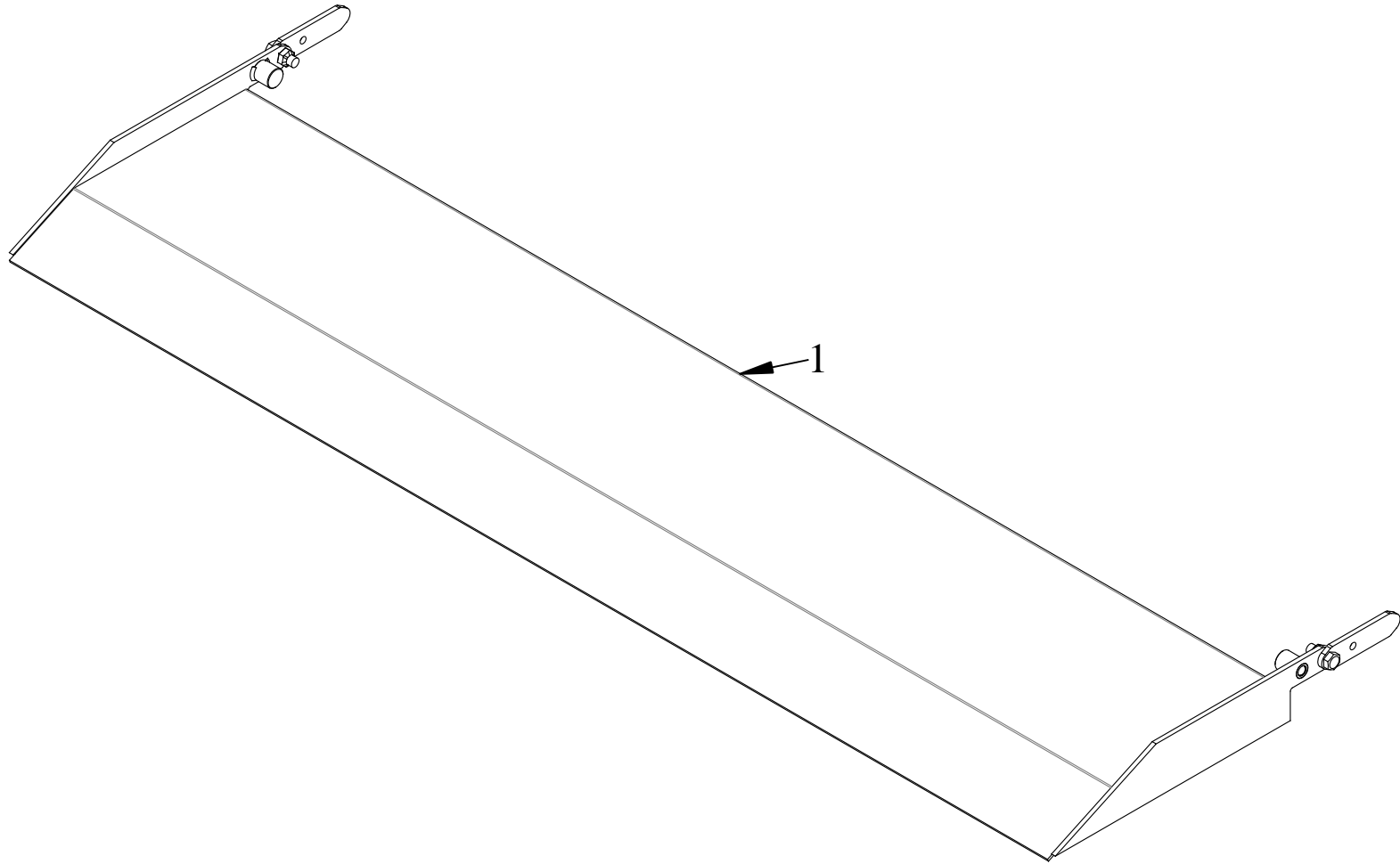
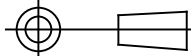


ITEM NO.	QTY.	PART NO.	DESCRIPTION
1	1	14178	73-F11 w/4" TAPER TP FLIPPER COMP.



THIRD ANGLE PROJECTION



DECIMAL	2PLC	3PLC
MACHINE SAW, DRILL	.030	.015
SHEAR, PUNCH, FORM	.060	.030
TORCH, WELDING, ROUGH CAST	.090	.060

FILENAME:

SYMBOLY PER ANSI Y14.5

DRAWN BY.  
DJR

DRAWN/DATE  
6/16/05

APPVD/DATE

SALES CATEGORY

NOTES:

WOODBINE MFG. CO.  
BUS BROWN DRIVE  
WOODBINE, IOWA 51579



THE INFORMATION HERE IS CONFIDENTIAL AND MUST NOT BE USED IN ANYWAY DETRIMENTAL TO THE INTEREST OF WOODBINE MFG.

TITLE  
72LP/73-F11 REPLACEMENT TREADPLATE FLIPPER

PRODUCT LINE SCALE FIN. WT. PART NO.

N

1774

REV.	DATE	CHANGE RECORD	BY	APPVD	ECN
B	10/25/16	14178 WAS 1552	GDB		1727