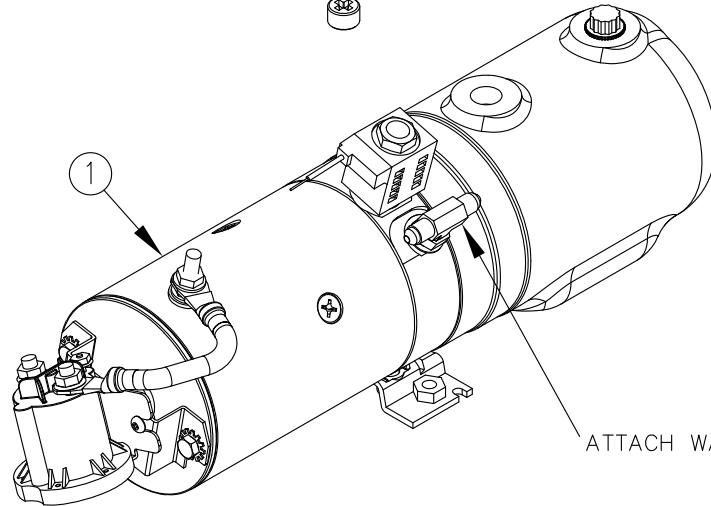
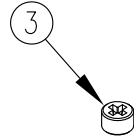
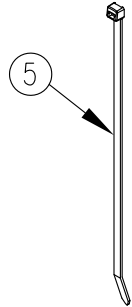
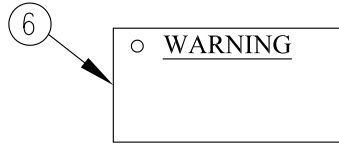


ITEM NO.	QTY.	PART NO.	DESCRIPTION
1	1	004457	MONARCH UNIT 319-0295 (2050) 1340 G2
2	0.335 GAL.	001092	TOMMY GATE WINTER GRADE OIL
3	1	004403*	VENT PLUG
4	1	009089	16-14 HEAT SHRINK BUTT CONNECTOR
5	1	009077	3/16"x7-1/2" CABLE TIE
6	1	014839	VENT PLUG WARNING TAG
7	1	095048	REPLACEMENT POWER UNIT INSTALLATION INSTR.

*ACCOUNTING-DO NOT USE FOR B.O.M.



ATTACH WARNING TAG TO TEE WITH CABLE TIE

REV.		DATE	CHANGE RECORD	BY	APPVD	ECN	THIRD ANGLE PROJECTION		FILENAME:	NOTES:		WOODBINE MFG. CO. BUS BROWN DRIVE WOODBINE, IOWA 51579
A	10/4/24	RELEASED TO PRODUCTION	AAS		3061			DECIMAL MACHINE SAW, DRILL SHEAR, PUNCH FORM TORCH, WELDING ROUGH CAST DRAFT 2' ANGULAR ±1'	SYMBOLY PER ANSI Y14.5 DRAWN BY: AAS DRAWN/DATE: 10/4/24 APPVD/DATE:	THE INFORMATION HERE IS CONFIDENTIAL AND MUST NOT BE USED IN ANYWAY DETRIMENTAL TO THE INTEREST OF WOODBINE MFG.		
									TITLE: REPLACEMENT 1542 G2 PUMP & MOTOR UNIT W/WINTER GRADE OIL (2600PSI)		SALES CATEGORY PRODUCT LINE SCALE FIN. WT. PART NO. 18391	