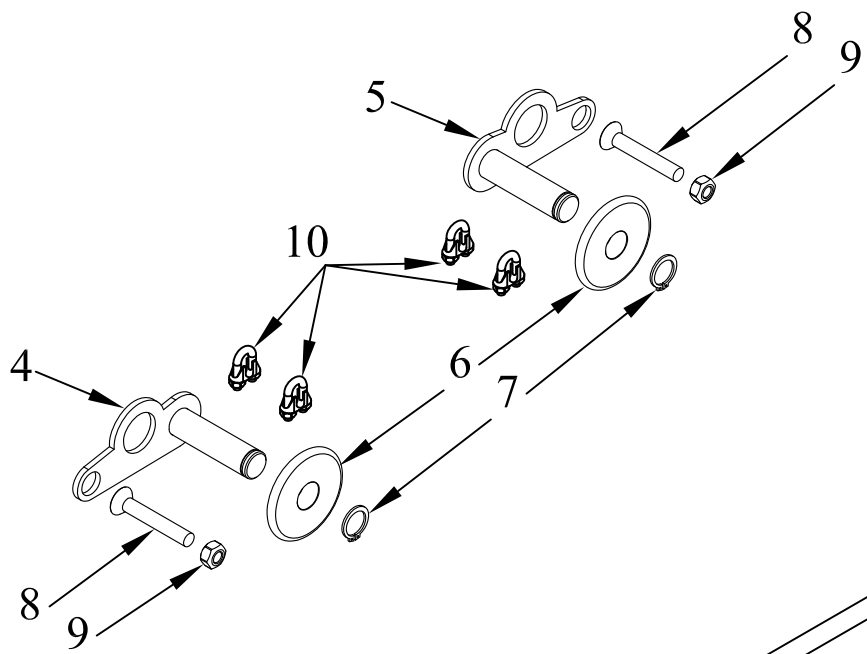


ITEM NO.	QTY.	PART NO.	DESCRIPTION
1	1	004599	7/32"x10.585FT CABLE ASY(MINI SHORT)
2	1	004604	7/32"x14.58FT CABLE ASY (MINI LONG)
3	1	095059	CABLE INSTALLATION INSTRUCTIONS-MINI
4	1	010342	DROP PIN ASSEMBLY (LEFT) MINI
5	1	010343	DROP PIN ASSEMBLY (RIGHT) MINI
6	2	010337	DROP CHAIN MACHINED WASHER
7	2	000615	5/8" EXTERNAL RETAINING RING - PLATED
8	2	010467	5/16-18 X 2" FLHD SHCS - ZINC
9	2	000606	5/16-18 USS CROWN LOCK NUT
10	4	004741	3/16" SMALL CABLE CLAMP



TAG TO INDICATE RIGHT

TAG TO INDICATE LEFT

				THIRD ANGLE PROJECTION			FILENAME:		WOODBINE MFG. CO. BUS BROWN DRIVE WOODBINE, IOWA 51579													
							SYMBOLY PER ANSI Y14.5															
				<table border="1"> <tr> <td>DECIMAL</td> <td>2PLC</td> <td>3PLC</td> </tr> <tr> <td>MACHINE SAW, DRILL</td> <td>.030</td> <td>.015</td> </tr> <tr> <td>SHEAR, PUNCH FORM</td> <td>.060</td> <td>.030</td> </tr> <tr> <td>TORCH, WELDING ROUGH CAST</td> <td>.090</td> <td>.060</td> </tr> </table>			DECIMAL	2PLC	3PLC	MACHINE SAW, DRILL	.030	.015	SHEAR, PUNCH FORM	.060	.030	TORCH, WELDING ROUGH CAST	.090	.060	DRAWN BY: MTC		NOTES:	
DECIMAL	2PLC	3PLC																				
MACHINE SAW, DRILL	.030	.015																				
SHEAR, PUNCH FORM	.060	.030																				
TORCH, WELDING ROUGH CAST	.090	.060																				
				DRAWN/DATE 2/24/10																		
				APPVD/DATE		TITLE SET OF 7/32" REPAIR CABLES (MINI)		<p>THE INFORMATION HERE IS CONFIDENTIAL AND MUST NOT BE USED IN ANYWAY DETRIMENTAL TO THE INTEREST OF WOODBINE MFG.</p>														
REV.	DATE	CHANGE RECORD		BY	APPVD	ECN	SALES CATEGORY			PRODUCT LINE	SCALE N	FIN. WT.	PART NO. 10450									
B	6/28/22	SWITCHED LEFT AND RIGHT LABELS		AAS		2768																
A	2/24/10	DRAWN IN AUTOCAD		MTC		270																