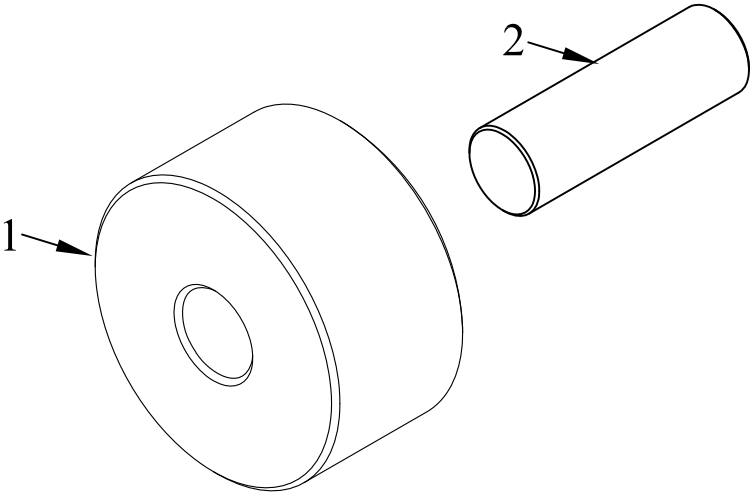


ITEM NO.	QTY.	PART NO.	DESCRIPTION
1	1	001118	2.00" DIA x 0.94" NYLATRON ROLLER
2	1	001900	.5"DIA.x1.50" CHROME STEEL BAR



				THIRD ANGLE PROJECTION			FILENAME:		WOODBINE MFG. CO.															
							SYMBOLY PER ANSI Y14.5		BUS BROWN DRIVE															
				<table border="1"> <thead> <tr> <th>DECIMAL</th> <th>2PLC</th> <th>3PLC</th> </tr> </thead> <tbody> <tr> <td>MACHINE SAW, DRILL</td> <td>.030</td> <td>.015</td> </tr> <tr> <td>SHEAR, PUNCH FORM</td> <td>.060</td> <td>.030</td> </tr> <tr> <td>TORCH, WELDING ROUGH CAST</td> <td>.090</td> <td>.060</td> </tr> </tbody> </table>			DECIMAL	2PLC	3PLC	MACHINE SAW, DRILL	.030	.015	SHEAR, PUNCH FORM	.060	.030	TORCH, WELDING ROUGH CAST	.090	.060	DRAWN BY. JCB		NOTES:		WOODBINE, IOWA 51579	
DECIMAL	2PLC	3PLC																						
MACHINE SAW, DRILL	.030	.015																						
SHEAR, PUNCH FORM	.060	.030																						
TORCH, WELDING ROUGH CAST	.090	.060																						
							DRAWN/DATE 9/26/07		712-647-2050															
							APPVD/DATE 9/26/07																	
A	9/26/07	DRAWN IN AUTOCAD			JCB	KGJ	TITLE 2" REPLACEMENT SELF-CLOSE ROLLER KIT		<small>THE INFORMATION HERE IS CONFIDENTIAL AND MUST NOT BE USED IN ANYWAY DETRIMENTAL TO THE INTEREST OF WOODBINE MFG.</small>															
REV.	DATE	CHANGE RECORD			BY	APPVD	ECN	SALES CATEGORY 45	PRODUCT LINE 8950	SCALE N	FIN. WT.	PART NO. 8138												