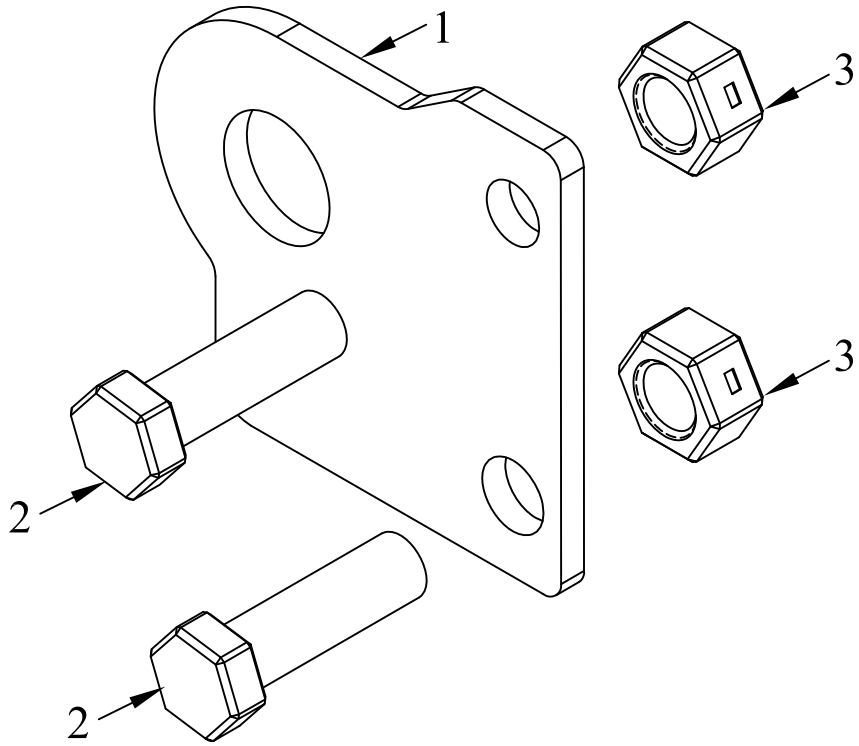


ITEM NO.	QTY.	PART NO.	DESCRIPTION
1	1	013140	8GA. SLIDER PIVOT PLATE-BR
2	2	000510	3/8-16x1-1/4' HHCS GR5
3	2	000597	3/8-16 2 WAY LOCK NUT



				THIRD ANGLE PROJECTION 			FILENAME:		WOODBINE MFG. CO. BUS BROWN DRIVE WOODBINE, IOWA 51579		
				DECIMAL 2PLC 3PLC			SYMBOLY PER ANSI Y14.5		NOTES:		
				MACHINE SAW, DRILL .030 .015			DRAWN BY. MTC		712-647-2050		
				SHEAR, PUNCH FORM .060 .030			DRAWN/DATE 10/1/12		THE INFORMATION HERE IS CONFIDENTIAL AND MUST NOT BE USED IN ANYWAY DETRIMENTAL TO THE INTEREST OF WOODBINE MFG.		
				TORCH, WELDING ROUGH CAST .090 .060			TITLE		REPLACEMENT PIVOT PLATE (BR) #4900		
A	10/1/12	RELEASED TO PRODUCTION		MTC		717			SCALE	FIN. WT.	PART NO. 13162
REV.	DATE	CHANGE RECORD		BY	APPVD	ECN	DRAFT 2'	ANGULAR ±1'	N		