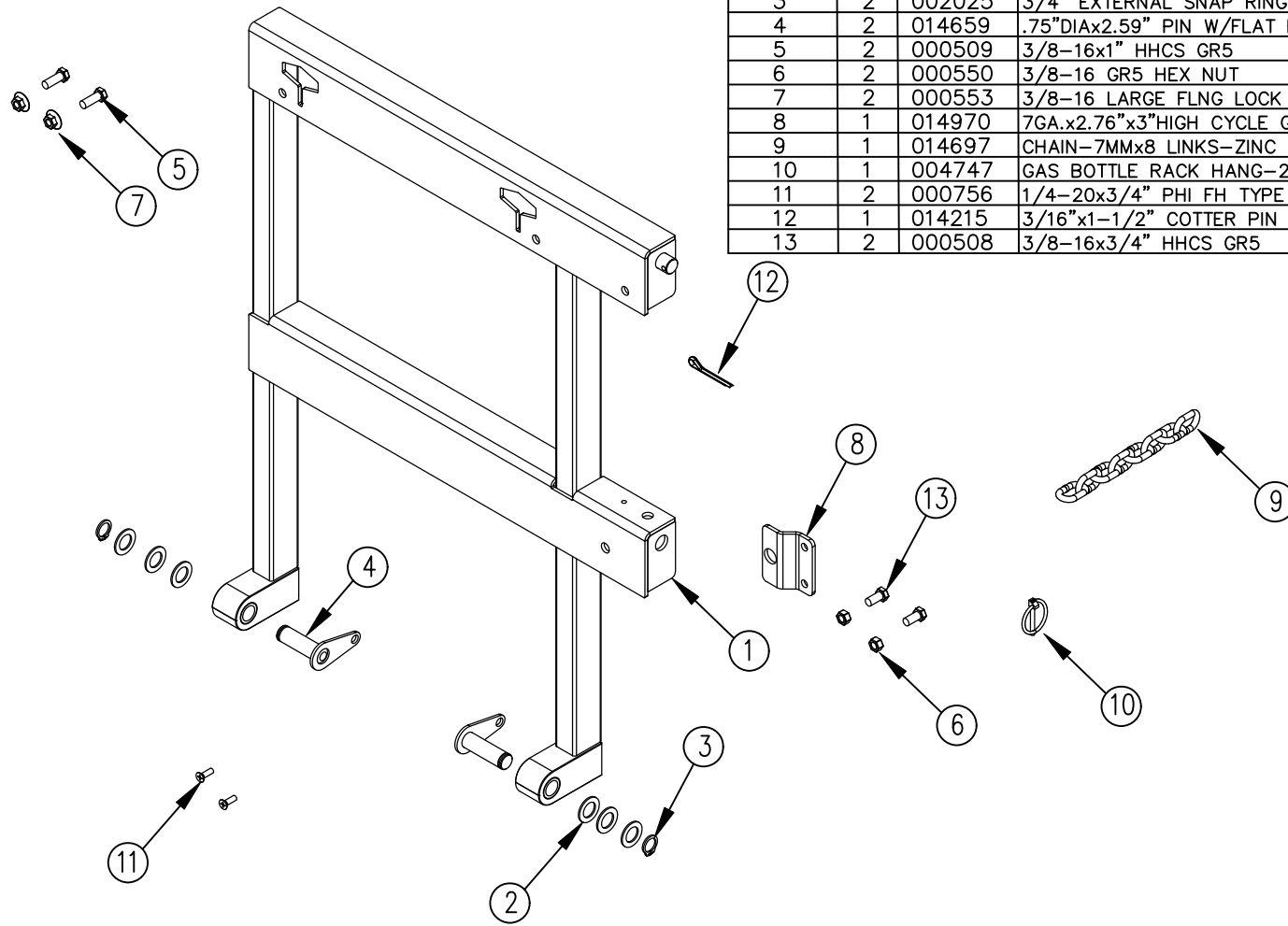


ITEM NO.	QTY.	PART NO.	DESCRIPTION
1	1	014476	BOTTLE RACK FENCE-RIGHT
2	6	000622	3/4"IDx1-1/4"OD FLAT WASHER (650) *ZP*
3	2	002025	3/4" EXTERNAL SNAP RING(G2)PLATED
4	2	014659	.75"DIAx2.59" PIN W/FLAT HEAD KEEPER
5	2	000509	3/8-16x1" HHCS GR5
6	2	000550	3/8-16 GR5 HEX NUT
7	2	000553	3/8-16 LARGE FLNG LOCK NUT
8	1	014970	7GA.x2.76"x3"HIGH CYCLE GBR FENCE STOP BRACKET
9	1	014697	CHAIN-7MMx8 LINKS-ZINC GBR FENCE CHAIN
10	1	004747	GAS BOTTLE RACK HANG-2 LYNCH PIN
11	2	000756	1/4-20x3/4" PHI FH TYPE F SS
12	1	014215	3/16"x1-1/2" COTTER PIN
13	2	000508	3/8-16x3/4" HHCS GR5



					THIRD ANGLE PROJECTION	DRAWN BY AAS	NOTES:	WOODBINE MFG. CO. BUS BROWN DRIVE WOODBINE, IOWA 51579		
						DRAWN/DATE 3/30/18				
					UNLESS OTHERWISE SPECIFIED	APPVD/DATE -				TITLE
					DIMENSIONS ARE IN INCHES	DO NOT SCALE DRAWING				REPLACEMENT BOTTLE RACK FENCE-R HC
B	6/18/24	(2) 508 WERE (2) 509	MK	3011	FRACTIONAL ±1/16					
					ANGULAR MACH ±1°					
					BEND ±1°					
A	3/30/18	RELEASED TO PRODUCTION	AAS	1606	TWO PLACE DECIMAL ±0.030					
					THREE PLACE DECIMAL ±0.010					
REV.	DATE	CHANGE RECORD	BY	APPVD	ECN	THE INFORMATION HERE IS CONFIDENTIAL AND MUST NOT BE USED IN ANY WAY DETRIMENTAL TO THE INTEREST OF WOODBINE MFG.		SCALE 1:8		
							WEIGHT -	PART NO. 14713		