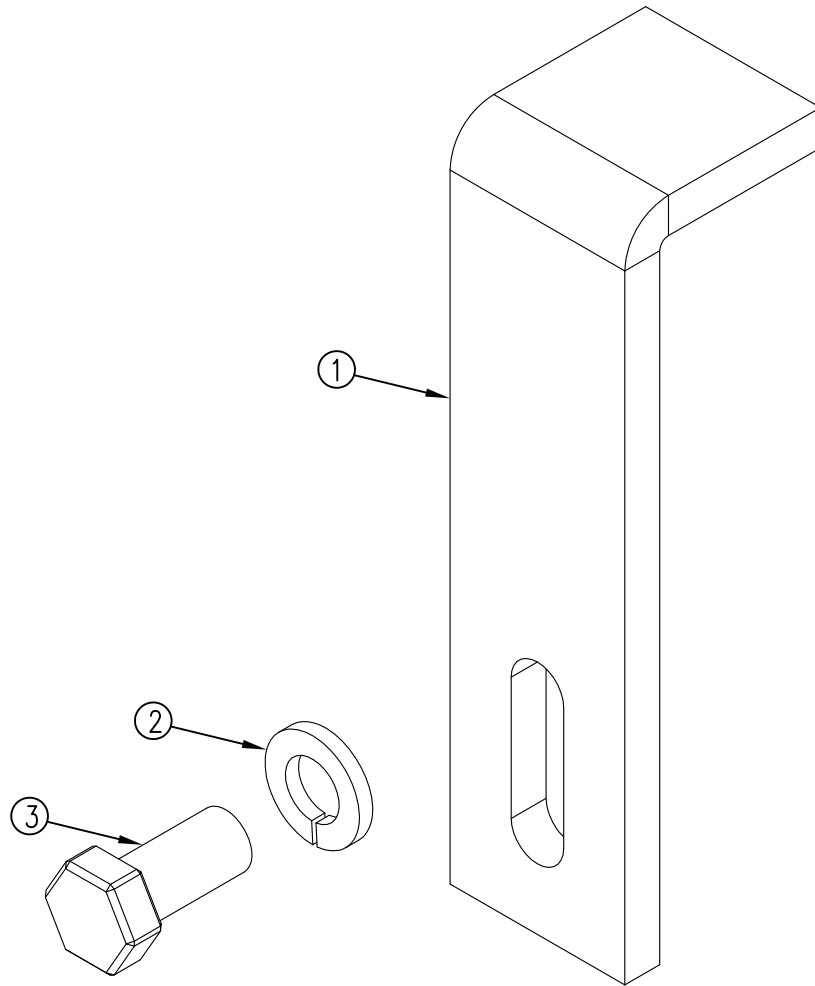


ITEM NO.	QTY.	PART NO.	DESCRIPTION
1	1	008096	.25"X1.25"X5.38" PLATED RAIL CYL. CLAMP
2	1	000572	3/8" SPRING LOCK WASHER
3	1	000508	3/8-16x3/4"HHCS GR5



				THIRD ANGLE PROJECTION			FILENAME:		WOODBINE MFG. CO.															
							SYMBOLY PER ANSI Y14.5		BUS BROWN DRIVE															
				<table border="1"> <thead> <tr> <th>DECIMAL</th> <th>2PLC</th> <th>3PLC</th> </tr> </thead> <tbody> <tr> <td>MACHINE SAW, DRILL</td> <td>.030</td> <td>.015</td> </tr> <tr> <td>SHEAR, PUNCH FORM</td> <td>.060</td> <td>.030</td> </tr> <tr> <td>TORCH, WELDING ROUGH CAST</td> <td>.090</td> <td>.060</td> </tr> </tbody> </table>			DECIMAL	2PLC	3PLC	MACHINE SAW, DRILL	.030	.015	SHEAR, PUNCH FORM	.060	.030	TORCH, WELDING ROUGH CAST	.090	.060	DRAWN BY. DJR		NOTES:		WOODBINE, IOWA 51579	
DECIMAL	2PLC	3PLC																						
MACHINE SAW, DRILL	.030	.015																						
SHEAR, PUNCH FORM	.060	.030																						
TORCH, WELDING ROUGH CAST	.090	.060																						
							DRAWN/DATE 8/4/03		712-647-2050															
							APPVD/DATE 8/17/07																	
A	8/17/07	DRAWN IN AUTOCAD		JCB	KGJ	SALES CATEGORY 45		TITLE REPLACEMENT CYLINDER CLAMP(ALUMINUM RAIL)		THE INFORMATION HERE IS CONFIDENTIAL AND MUST NOT BE USED IN ANYWAY DETRIMENTAL TO THE INTEREST OF WOODBINE MFG.														
REV.	DATE	CHANGE RECORD		BY	APPVD	ECN	PRODUCT LINE 5100	SCALE 1:1	FIN. WT.	PART NO. 6835														