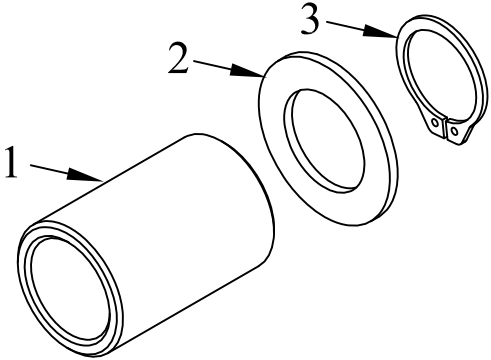


| ITEM NO. | QTY. | PART NO. | DESCRIPTION |
|----------|------|----------|--|
| 1 | 1 | 1426 | .752" I.D. x 1.0025" x 1.5" BRONZE BUSHING |
| 2 | 1 | 622 | 3/4" ID x 1-1/4" OD FLATWASHER (650) *ZP* |
| 3 | 1 | 1405 | 3/4" EXTERNAL SNAP RING (5100-75) |



| REV. | DATE | CHANGE RECORD | BY | APPVD | ECN | THIRD ANGLE PROJECTION | | FILENAME: | SYMBOLY PER ANSI Y14.5 | | NOTES: | WOODBINE MFG. CO. BUS BROWN DRIVE WOODBINE, IOWA 51579 712-647-2050 | | | | | |
|------|------|---------------|----|-------|-----|---------------------------|------|-------------|------------------------|---------|--------------|--|-------|---|----------|----------|------|
| | | | | | | | | | | | | | | <small>THE INFORMATION HERE IS CONFIDENTIAL AND MUST NOT BE USED IN ANYWAY DETRIMENTAL TO THE INTEREST OF WOODBINE MFG.</small> | | | |
| | | | | | | DECIMAL | 2PLC | 3PLC | DRAWN BY. | | | | | | | | |
| | | | | | | MACHINE SAW, DRILL | .030 | .015 | DJR | | | | | | | | |
| | | | | | | SHEAR, PUNCH FORM | .060 | .030 | DRAWN/DATE | 7/25/05 | | | | | | | |
| | | | | | | TORCH, WELDING ROUGH CAST | .090 | .060 | APPVD/DATE | | TITLE | 650 LATCH & SELF CLOSE BUSHING KIT | | | | | |
| | | | | | | DRAFT 2° | | ANGULAR ±1° | SALES CATEGORY | 45 | PRODUCT LINE | 8115 | SCALE | N | FIN. WT. | PART NO. | 2211 |