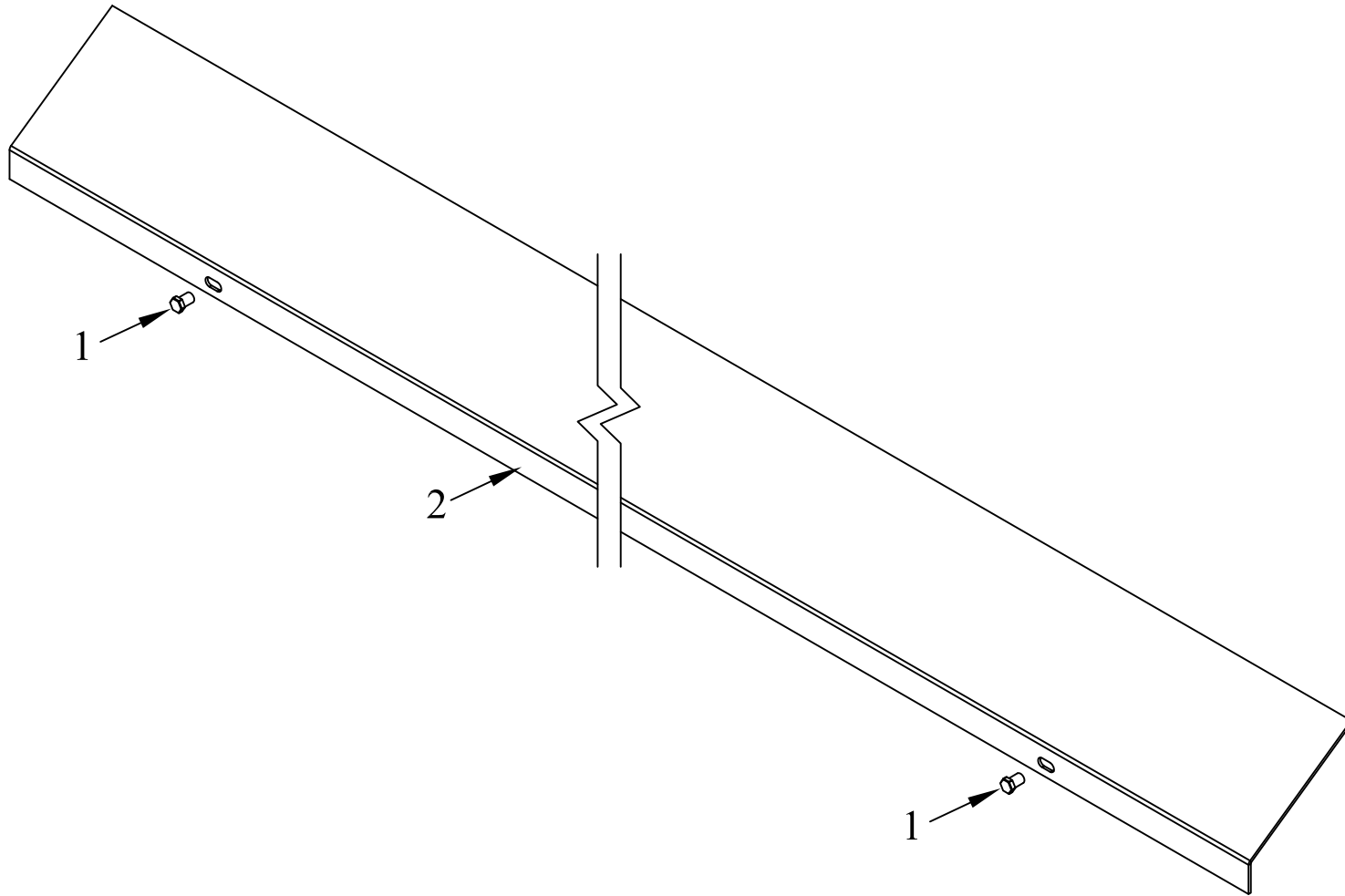


ITEM NO.	QTY.	PART NO.	DESCRIPTION
1	2	000506	5/16-18X1/2' HHCS GRADE 5 BOLT
2	1	004987	12GAx7"x52.31'BOX COVER(S4)



REV.	DATE	CHANGE RECORD	BY	APPVD	ECN	DRAFT	ANGULAR	SALES CATEGORY	PRODUCT LINE	SCALE	FIN. WT.	PART NO.
						2'	±1'	45	8950	N		4962

THIRD ANGLE PROJECTION	FILENAME:	WOODBINE MFG. CO.
	SYMBOLY PER ANSI Y14.5	BUS BROWN DRIVE
DECIMAL	2PLC	3PLC
MACHINE SAW, DRILL	.030	.015
SHEAR, PUNCH FORM	.060	.030
TORCH, WELDING ROUGH CAST	.090	.060
DRAWN BY. DJR	NOTES:	712-647-2050
DRAWN/DATE 12/15/03		
APPVD/DATE	TITLE	THE INFORMATION HERE IS CONFIDENTIAL AND MUST NOT BE USED IN ANYWAY DETRIMENTAL TO THE INTEREST OF WOODBINE MFG.
	REPLACEMENT BOX COVER(DAKOTA, ISUZU&48)	