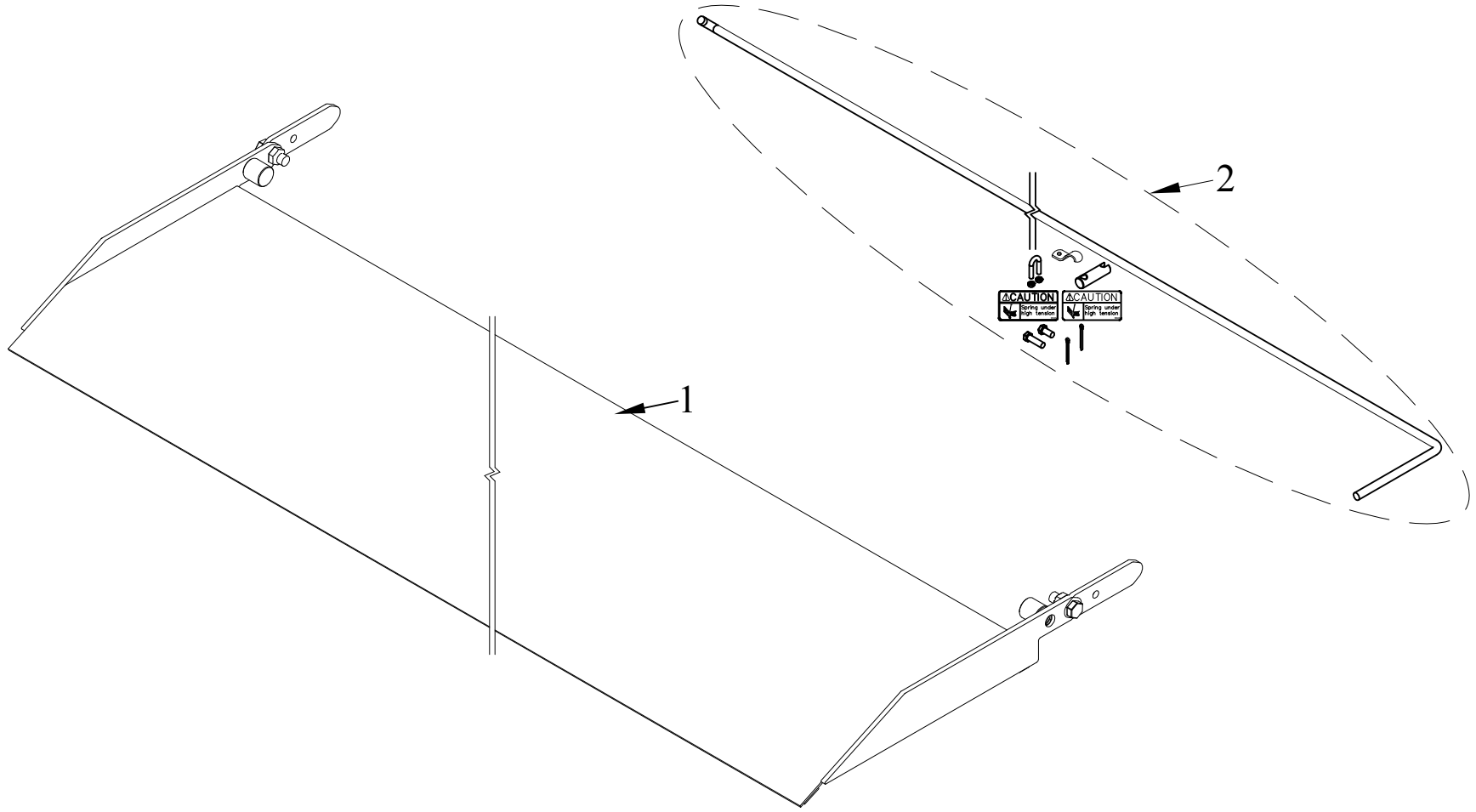


ITEM NO.	QTY.	PART NO.	DESCRIPTION
1	1	14840	G2 48-F11 W/4" TAPER TP FLIPPER
2	1	3688	TORSION SPRING w/HARDWARE(MINI&48)



					THIRD ANGLE PROJECTION			FILENAME:				WOODBINE MFG. CO. BUS BROWN DRIVE WOODBINE, IOWA 51579																
								SYMBOLGY PER ANSI Y14.5		NOTES:																		
					<table border="1"> <thead> <tr> <th>DECIMAL</th> <th>2PLC</th> <th>3PLC</th> </tr> </thead> <tbody> <tr> <td>MACHINE SAW, DRILL</td> <td>.030</td> <td>.015</td> </tr> <tr> <td>SHEAR, PUNCH FORM</td> <td>.060</td> <td>.030</td> </tr> <tr> <td>TORCH, WELDING ROUGH CAST</td> <td>.090</td> <td>.060</td> </tr> </tbody> </table>			DECIMAL	2PLC					3PLC	MACHINE SAW, DRILL	.030	.015	SHEAR, PUNCH FORM	.060	.030	TORCH, WELDING ROUGH CAST	.090	.060	DRAWN BY. DJR		DRAWN/DATE 6/23/04		
DECIMAL	2PLC	3PLC																										
MACHINE SAW, DRILL	.030	.015																										
SHEAR, PUNCH FORM	.060	.030																										
TORCH, WELDING ROUGH CAST	.090	.060																										
					APPVD/DATE		TITLE 48-F11 TREADPLATE FLIPPER BOXED																					
B	8/1/16	14840 WAS 3527	GDB	1680	DRAFT 2°			ANGULAR ±1°		SALES CATEGORY		PRODUCT LINE	SCALE N	FIN. WT.	PART NO. 1678													
REV.	DATE	CHANGE RECORD	BY	APPVD	ECN	<p>THE INFORMATION HERE IS CONFIDENTIAL AND MUST NOT BE USED IN ANYWAY DETRIMENTAL TO THE INTEREST OF WOODBINE MFG.</p>																						