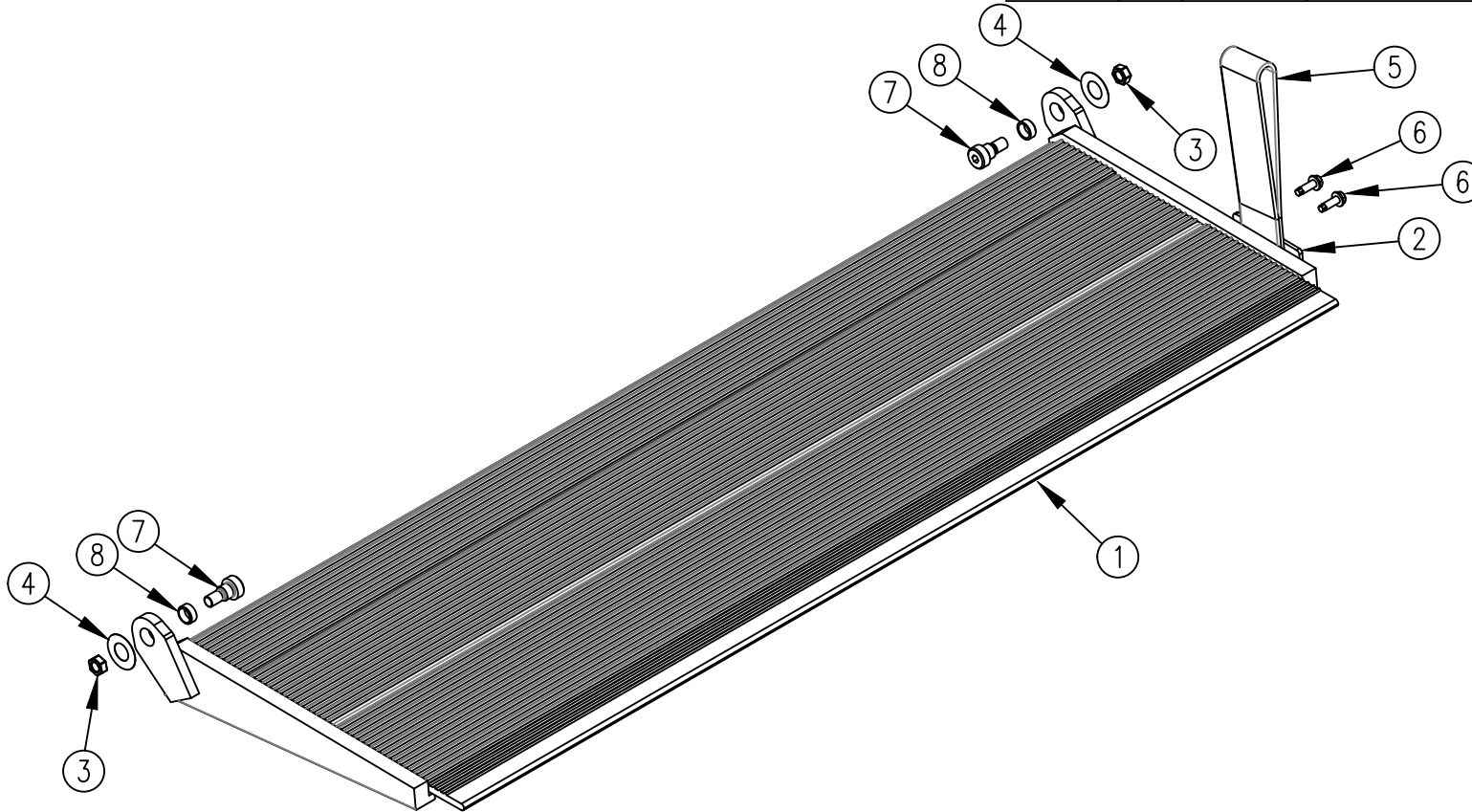
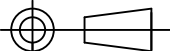



| ITEM NO. | QTY. | PART NO. | DESCRIPTION                                |
|----------|------|----------|--|
| 1        | 1    | 017271   | HCGBR EA TAPER WELDMENT                    |
| 2        | 1    | 017389   | HCGBR TAPER HANDLE WASHER PLATE-ZP         |
| 3        | 2    | 000558   | 3/8-16 NYLON JAM LOCK NUT                  |
| 4        | 2    | 007633   | 5/8" I.D. NYLATRON WASHER (EA) 1-1/4" OD   |
| 5        | 1    | 008343   | CLOTH CHAIN COVER-19 LINK CHAIN-17"        |
| 6        | 2    | 013980   | 1/4-20x3/4" SS TY F HEX HD                 |
| 7        | 2    | 015068   | 1/2"x3/8" SHOULDER BOLT-ZINC PLATED        |
| 8        | 2    | 015445   | 0.50" ID x 0.63" OD x 0.25" SLEEVE BUSHING |



|      |         |                        |     |       |   |   |   |   |                    |
|------|---------|------------------------|-----|-------|---|---|---|---|--------------------|
|      |         |                        |     |       | THIRD ANGLE PROJECTION<br>   | DRAWN BY<br>GDB   | NOTES:<br><br><br><br>                                      | WOODBINE MFG. CO.<br>BUS BROWN DRIVE<br>WOODBINE, IOWA 51579<br> |                    |
|      |         |                        |     |       | UNLESS OTHERWISE SPECIFIED<br>DIMENSIONS ARE IN INCHES<br>TOLERANCES:<br>FRACTIONAL ±1/16<br>ANGULAR MACH ±1'<br>BEND ±1'<br>TWO PLACE DECIMAL ±0.030<br>THREE PLACE DECIMAL ±0.010 | DRAWN/DATE<br>5/28/21   |   |   |                    |
|      |         |                        |     |       |   | APPVD/DATE<br>—   |   |   |                    |
| A    | 5/28/21 | RELEASED TO PRODUCTION | GDB | 2620  |   | DO NOT SCALE<br>DRAWING   | TITLE<br>REPLACEMENT HC BOTTLE RACK<br>TAPER (42" PLATFORM) |   |                    |
| REV. | DATE    | CHANGE RECORD          | BY  | APPVD | ECN   | THE INFORMATION HERE IS CONFIDENTIAL AND MUST NOT BE USED IN ANY WAY DETRIMENTAL TO THE INTEREST OF WOODBINE MFG. | SCALE<br>1:6  | WEIGHT<br>—   | PART NO.<br>017480 |