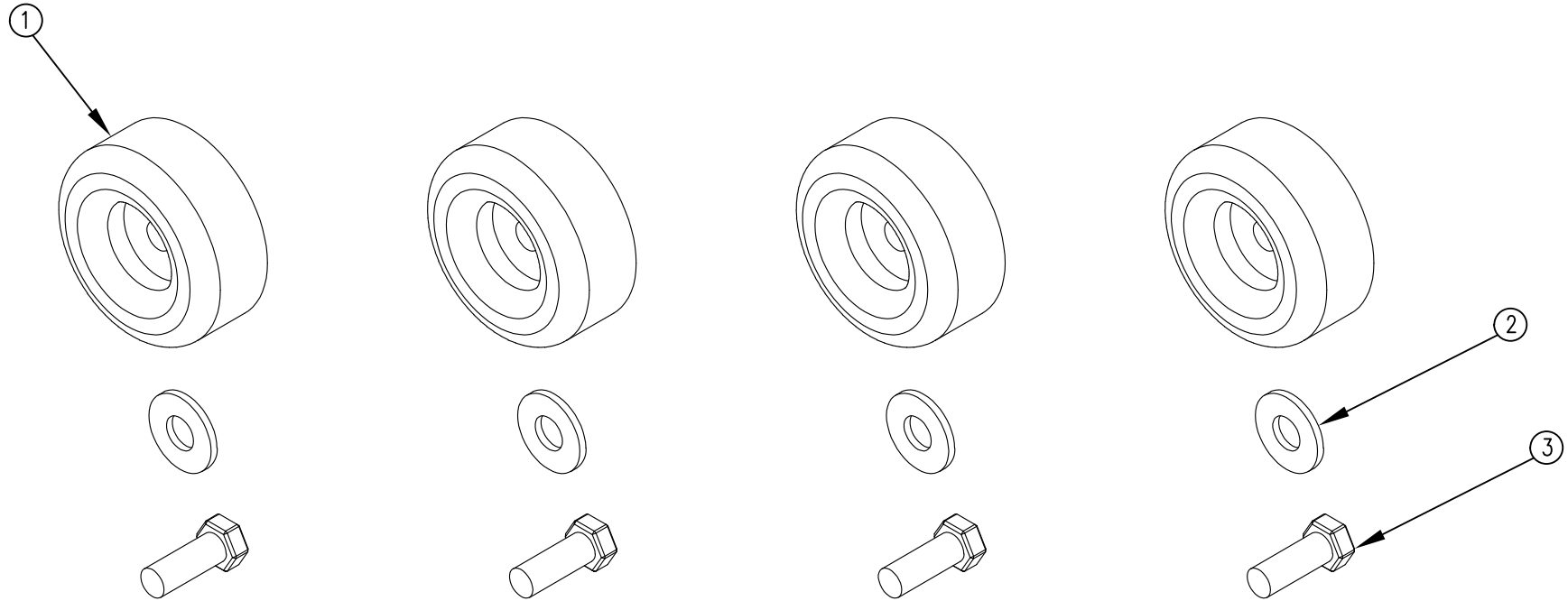


ITEM NO.	QTY.	PART NO.	DESCRIPTION
1	4	007669	2-1/2" RUBBER BUMPER
2	4	000575	3/8" USS FLAT WASHER
3	4	000509	3/8"-16 x 1" HHCS GR5
4	1	095051	LID GUARD INSTALLATION INSTRUCTIONS



THIRD ANGLE PROJECTION			FILENAME:		WOODBINE MFG. CO. BUS BROWN DRIVE WOODBINE, IOWA 51579					
			SYMBOLY PER ANSI Y14.5			<b>NOTES:</b> <hr/> <hr/> <hr/> <hr/>				
DECIMAL	2PLC	3PLC	DRAWN BY.							
MACHINE SAW, DRILL	.030	.015	TWS							
SHEAR, PUNCH FORM	.060	.030	DRAWN/DATE							
TORCH, WELDING ROUGH CAST	.090	.060	8/16/16		<small>THE INFORMATION HERE IS CONFIDENTIAL AND MUST NOT BE USED IN ANYWAY DETRIMENTAL TO THE INTEREST OF WOODBINE MFG.</small>					
			APPVD/DATE			TITLE				
						LARGE LID GUARDS - SET OF 4				
			SALES CATEGORY			PRODUCT LINE				
REV.	DATE	CHANGE RECORD	BY	APPVD	ECN	DRAFT 2"	ANGULAR ±1°	SCALE 1:2	FIN. WT.	PART NO. 001122

B	8/16/16	CREATED DRAWING AND ADDED 95051	TWS		1690
REV.	DATE	CHANGE RECORD	BY	APPVD	ECN