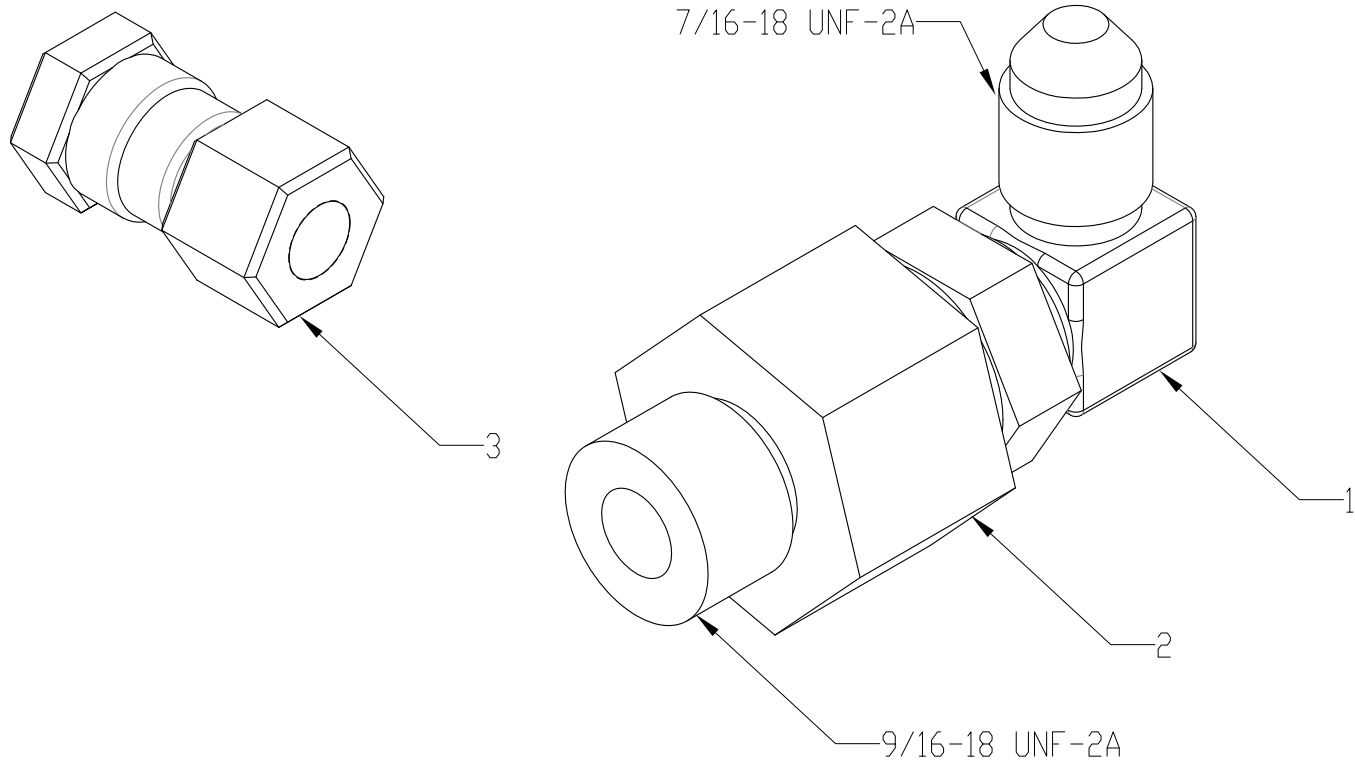


| ITEM NO. | QTY. | PART NO. | DESCRIPTION                                 |
|----------|------|----------|---|
| 1        | 1    | 010577   | 06MORB TO 04MJIC 90 ADAPTER                 |
| 2        | 1    | 012783   | #6 MORB x #6 FORB STEEL FITTING             |
| 3        | 1    | 012967   | #4 FJIC TO #4 FEMALE NPT ADAPTOR (6506-4-4) |



| REV. | DATE     | CHANGE RECORD                    | BY  | APPVD | ECN  | DRAFT | ANGULAR | SALES CATEGORY | PRODUCT LINE | SCALE | FIN. WT. | PART NO. |
|------|----------|----------------------------------|-----|-------|------|-------|---------|----------------|--------------|-------|----------|----------|
| D    | 12/11/13 | ADDED (1) 012967                 | GDB |       | 1021 | 2'    | ±1°     |                |              | N     | 0.3      | 994      |
| C    | 8/29/13  | REPLACED 3149 W/ 10577 AND 12783 | GDB |       | 943  |       |         |                |              |       |          |          |

THIRD ANGLE PROJECTION

DECIMAL    2PLC    3PLC

MACHINE SAW, DRILL    .030    .015

SHEAR, PUNCH FORM    .060    .030

TORCH, WELDING ROUGH CAST    .090    .060

FILENAME:

SYMBOLY PER ANSI Y14.5

NOTES:

DRAWN BY. DJR

DRAWN/DATE 03/27/06

APPVD/DATE

TITLE 650 REPLACEMENT 90° ELBOW

WOODBINE MFG. CO.  
BUS BROWN DRIVE  
WOODBINE, IOWA 51579

712-647-2050

THE INFORMATION HERE IS CONFIDENTIAL AND MUST NOT BE USED IN ANYWAY DETRIMENTAL TO THE INTEREST OF WOODBINE MFG.