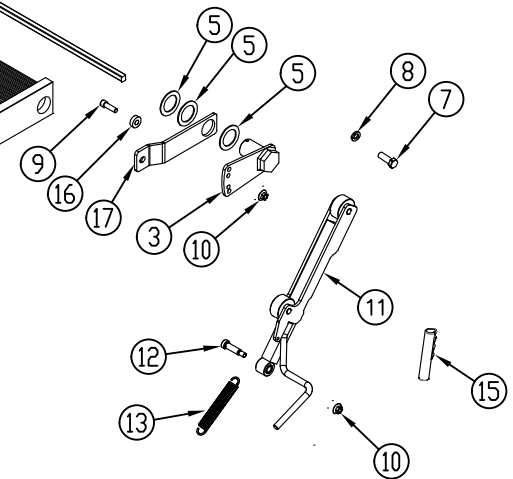


ITEM NO.	QTY.	PART NO.	DESCRIPTION
1	1	011419	(85) 65+12 ALUMINUM SC/TA PLATFORM W/ CS COMPLETE
2	1	005229	5/8" X 86-3/4 RAIL TORSION SPRING (85)
3	1	001989	5/8" RAIL TORSION SPRING HOLDER (PASS.)
4	1	011157	5/8" RAIL TORSION SPRING HOLDER (DR)
5	5	000582	1-1/2" NARROW RIM MACHINE BUSHING
6	1	004720	1/4"x2" COTTER PIN
7	2	000521	1/2-13x1-1/4" HHCS GR5
8	2	000573	1/2" SPRING LOCK WASHER
9	1	000596	3/8-16x1-1/2" USS SOC HD CAP
10	2	000553	3/8-16 LARGE FLANGE LOCK NUT
11	1	010406	SELF CLOSE ARM (RIGHT) WITH HANDLE
12	1	001902	1/2"DIA.x1-1/2" CHROME PLATED SHOULDER BOLT
13	1	001914	0.115"WIREX0.75"x5.5" EX. SPRING
14	2	009540	CAUTION DECAL - TORSION SPRING
15	1	002657	HANDLE GRIP
16	1	013291	5/16" TORSION SPRING SPACER
17	1	011155	TORSION ARM RAIL (DR)
18	2	004721	1/8"x3/4" COTTER PIN
19	1	095087	REPAIR (25/30) RAIL TORSION ASSIST SPRING INSTRUCTIONS



REV.	DATE	CHANGE RECORD	BY	APPVD	ECN	THIRD ANGLE PROJECTION	FILENAME:	SYMBOLY PER ANSI Y14.5	NOTES:	WOODBINE MFG. CO. BUS BROWN DRIVE WOODBINE, IOWA 51579 712-647-2050		
B.1	8/11/15	REMOVED ACCOUNTING NOTE	GDB			DECIMAL MACHINE SAW, DRILL		DRAWN BY. JAR		The original <b>TOMMY GATE</b> hydraulic lift THE INFORMATION HERE IS CONFIDENTIAL AND MUST NOT BE USED IN ANYWAY DETRIMENTAL TO THE INTEREST OF WOODBINE MFG.		
B	3/26/13	ADDED (2) 582, (1) 521, (1) 573, (1) 13291, (1) 11155, AND (2) 4721; REPLACED 594, 11158, 1991, 5235 W/ 596, 11157, 1989, 5229	JCB		852	2PLC SHEAR, PUNCH FORM		DRAWN/DATE 1/5/12				
A	1/10/12	RELEASE TO PRODUCTION	JAR		570	3PLC TORCH, WELDING ROUGH CAST		APPVD/DATE	TITLE (85) 65+12 SC/TA REPLACEMENT ALUM PLATFORM W/CS			
						DRAFT 2"	ANGULAR ±1"	SALES CATEGORY	PRODUCT LINE		SCALE 1:15	FIN. WT.